

Electronic staircase timers 16 A

14
SERIES



Staircase
light control



**Multi-function electronic staircase timers
1 NO 16 A 17.5 mm wide**

Type 14.01

- 8 functions
- Switch-off "early warning" options

Type 14.11

- 4 functions
- Terminal for reset (centralised switch off)

Type 14.71

- 3 functions

- Time setting from 30 seconds to 20 minutes
- "Zero crossing" load switching
- Suitable for 3 or 4 wire systems, with automatic recognition
- Compatible with movement detectors (18 series)
- LED status indicators
- Cadmium free contact material
- Can be used with illuminated push - buttons
- "Blade + cross" - both flat blade and cross head screw drivers can be used to adjust the function selector, the timing trimmer, and to disengage the 35 mm rail mounting clip
- 35 mm rail (EN 60715) mount
- European Patent

14.01/11/71
Screw terminal



For outline drawing see page 11

Contact specification

Contact configuration		1 NO (SPST-NO)	1 NO (SPST-NO)	1 NO (SPST-NO)
Rated current/Maximum peak current	A	16/30 (120 A - 5 ms)	16/30 (120 A - 5 ms)	16/30 (120 A - 5 ms)
Rated voltage/ Maximum switching voltage	V AC	230/—	250/400	230/—
Rated load AC1	VA	3700	4000	3700
Rated load AC15 (230 V AC)	VA	750	750	750
Nominal lamp rating:				
230 V incandescent/halogen W		3000	3000	3000
fluorescent tubes with electronic ballast W		1500	1500	1500
fluorescent tubes with electromagnetic ballast W		1000	1000	1000
CFL W		600	600	600
230 V LED W		600	600	600
LV halogen or LED with electronic ballast W		600	600	600
LV halogen or LED with electromagnetic ballast W		1500	1500	1500
Minimum switching load	mW (V/mA)	1000 (10/10)	1000 (10/10)	1000 (10/10)
Standard contact material		AgSnO ₂	AgSnO ₂	AgSnO ₂

Supply specification

Nominal voltage (U _N)	V AC (50/60 Hz)	230	110...240	230
	V DC	—	—	—
Rated power	VA (50 Hz)/W	3/1.2	3.2/1	3/1.2
Operating range	AC (50 Hz)	(0.8...1.1)U _N	(90...264)U _N	(0.8...1.1)U _N
	DC	—	—	—
Reset time (s)		—	3	—

Technical data

Electrical life at rated load in AC1	cycles	100 · 10 ³	100 · 10 ³	100 · 10 ³
Delay setting	min	0.5...20	0.5...20	0.5...20
Max no. of illuminated push-button (≤ 1 mA)		30	30	30
Maximum impulse duration		continuous	continuous	continuous
Dielectric strength between:				
open contacts V AC		1000	1000	1000
supply - contacts V AC		—	2000	—
Ambient temperature range	°C	-10...+60	-10...+60	-10...+60
Protection category		IP 20	IP 20	IP 20

Approvals (according to type)



14.01



- 8 functions:
 - Staircase timer
 - Staircase timer + maintenance function
 - Staircase timer with early warning
 - Staircase timer with early warning + maintenance function
 - Timing step relay
 - Timing step relay with early warning
 - Step relay
 - Light ON

NEW 14.11



- Reset for centralised switch off
- 4 functions:
 - Step relay
 - Timing Step relay
 - Staircase timer
 - Light ON

14.71



- 3 functions:
 - Staircase timer
 - Staircase timer + maintenance function
 - Light ON

**Mono-function electronic staircase timers
1 NO 16 A 17.5 mm wide**
Type 14.81

- Staircase timer + maintenance function

Type 14.91

- Signal ON pulse timer

- Time setting from 30 seconds to 20 minutes
- "Zero crossing" load switching
- Wiring compatible with mechanical versions and with old type (low emission) illuminated pushbuttons
- Suitable for 3 or 4 wire systems, via "pushbutton configuration"
- 110...125 V AC supply version available (14.81)
- Cadmium free contact material
- Can be used with illuminated push - buttons
- "Blade + cross" - both flat blade and cross head screw drivers can be used to adjust the function selector, the timing trimmer, and to disengage the 35 mm rail mounting clip
- 35 mm rail (EN 60715) mount

14.81/91

Screw terminal



For outline drawing see page 11

Contact specification

Contact configuration		14.81	14.91
Contact configuration		1 NO (SPST-NO)	1 NO (SPST-NO)
Rated current/Maximum peak current	A	16/30 (120 A - 5 ms)	16/30 (120 A - 5 ms)
Rated voltage/ Maximum switching voltage	V AC	230/—	230/—
Rated load AC1	VA	3700	3700
Rated load AC15 (230 V AC)	VA	750	750
Nominal lamp rating:			
230 V incandescent/halogen W		3000	3000
fluorescent tubes with electronic ballast W		1500	1500
fluorescent tubes with electromagnetic ballast W		1000	1000
CFL W		600	600
230 V LED W		600	600
LV halogen or LED with electronic ballast W		600	600
LV halogen or LED with electromagnetic ballast W		1500	1500
Minimum switching load	mW (V/mA)	1000 (10/10)	1000 (10/10)
Standard contact material		AgSnO ₂	AgSnO ₂

Supply specification

Nominal voltage (U _N)	V AC (50/60 Hz)	110...125/230	230
	V DC	—	—
Rated power	VA (50 Hz)/W	3/1.2	3/1.2
Operating range	AC (50 Hz)	(0.8...1.1)U _N	(0.8...1.1)U _N
	DC	—	—

Technical data

Electrical life at rated load in AC1	cycles	100 · 10 ³	100 · 10 ³
Delay setting	min	0.5...20	0.5...20
Max no. of illuminated push-button (≤ 1 mA)		25	25
Maximum impulse duration		continuous	continuous
Ambient temperature range	°C	-10...+60	-10...+60
Protection category		IP 20	IP 20

Approvals (according to type)

14.81


- Mono-function:
 - Staircase timer + maintenance function
- All 4 terminal on same side

14.91


- Mono-function:
 - Signal ON pulse timer
- All 3 terminal on same side

Ordering information

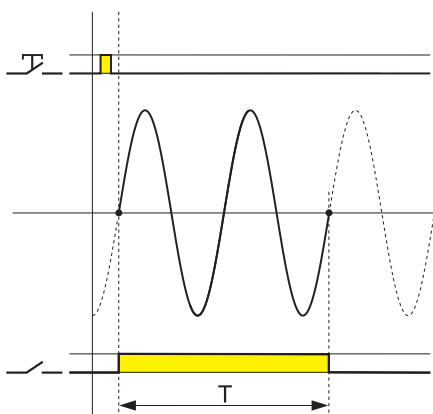
Example: 14 series multi-function timer, 1 NO (SPDT-NO) 16 A contact, supply rated at 230 V AC.

1	4	.0	1	.	8	.	2	3	0	.	0	0	0	0
Series			Type			Supply voltage			Supply version			Contact circuit		
0 = 35 mm rail (EN 60715) mount, 8 functions			0 = 35 mm rail (EN 60715) mount, with reset, 4 functions			120 = 110...125 V AC (14.81 only)			8 = AC (50/60 Hz)			0 = Standard		
1 = 35 mm rail (EN 60715) mount, 8 functions			1 = 35 mm rail (EN 60715) mount, with reset, 4 functions			230 = 230 V						3 = NO (SPST) - voltage free (14.11 only)		
7 = 35 mm rail (EN 60715) mount, 3 functions			7 = 35 mm rail (EN 60715) mount, 3 functions						No. of poles					
8 = 35 mm rail (EN 60715) mount, mono-function, all terminals on same side			8 = 35 mm rail (EN 60715) mount, mono-function, all terminals on same side						1 = 1 NO (SPST-NO) 16 A contact					
9 = 35 mm rail (EN 60715) mount, mono-function, 3 terminals			9 = 35 mm rail (EN 60715) mount, mono-function, 3 terminals											

Technical data

Insulation		
Dielectric strength between open contacts	V AC	1000
Other data		
Power lost to the environment		
without contact current	W	1.2
with rated current	W	2
Maximum cable length for push-button connection	m	200
Screw torque	Nm	0.8
Max. wire size		solid cable
	mm ²	1 x 6 / 2 x 4
	AWG	1 x 10 / 2 x 12
		stranded cable
		1 x 4 / 2 x 2.5
		1 x 12 / 2 x 14

Zero crossing switching



- 1 - Lower inrush current protects and increases lamp life
- 2 - Lower inrush current reduces the possibility of contact welding
- 3 - The current at switch-off is also lower, reducing stress and wear on the contacts

Note

Using the type 14.91, the lamps are switched on directly by the push-button

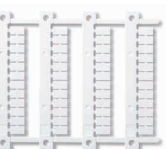
Accessories



020.01

Adaptor for panel mounting, 17.5 mm wide

020.01



060.48

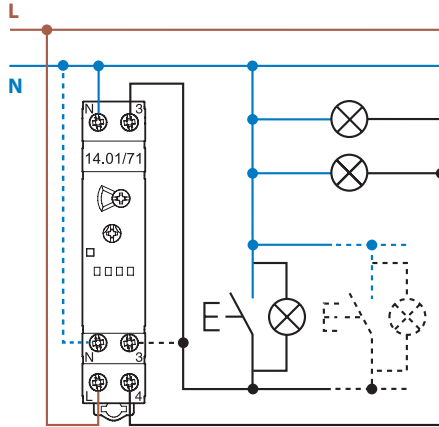
Sheet of marker tags (CEMBRE Thermal transfer printers), plastic, 48 tags, 6 x 12 mm

060.48

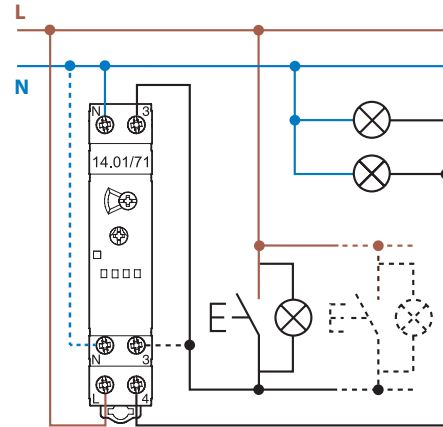
Wiring diagrams

Type 14.01 / 14.71

Red LED indication:
Continuous = relay ON
Blinking = relay OFF

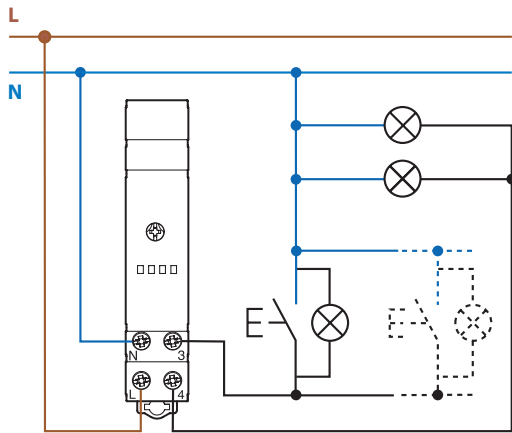


3 wire connection

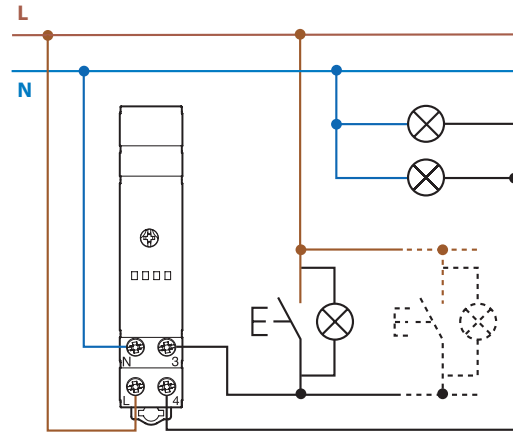


4 wire connection

Type 14.81 (push-button configuration procedure, as per the Installation manual)

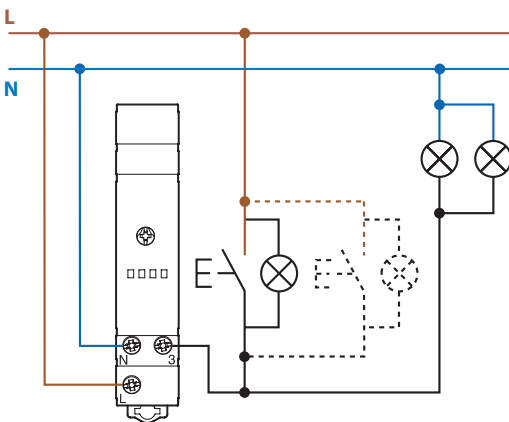


3 wire connection



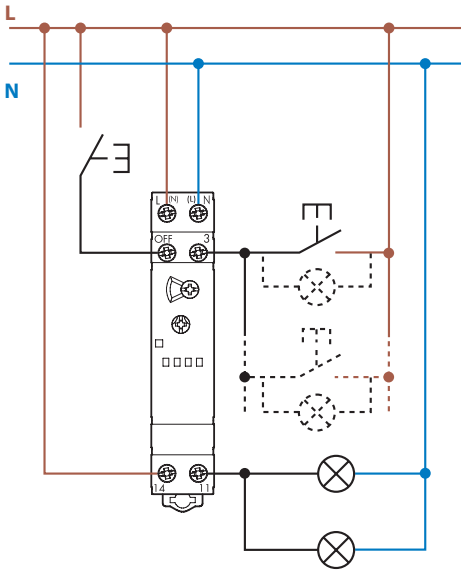
4 wire connection

Type 14.91 (the push-buttons must be rated for the load current)

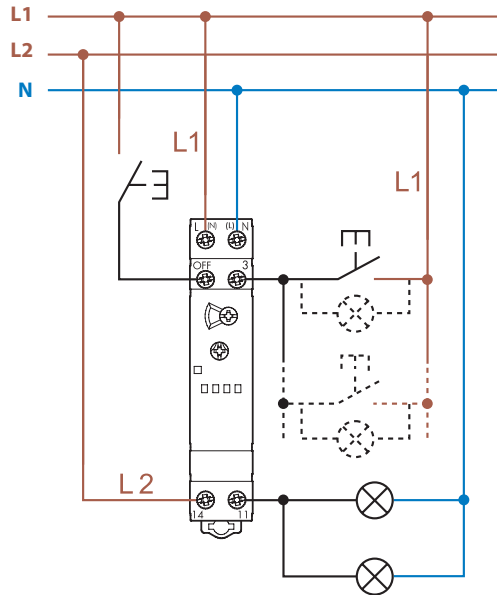


Wiring diagrams

Type 14.11 Staircase light connection and load with the same phase



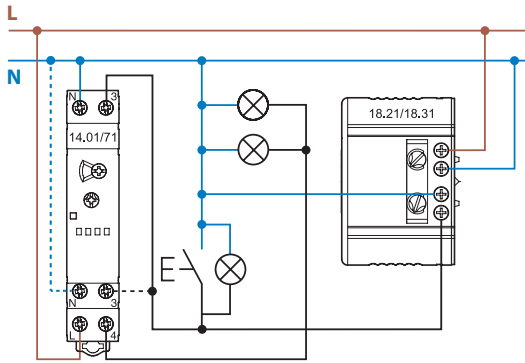
Type 14.11 Staircase light connection and load with different phases



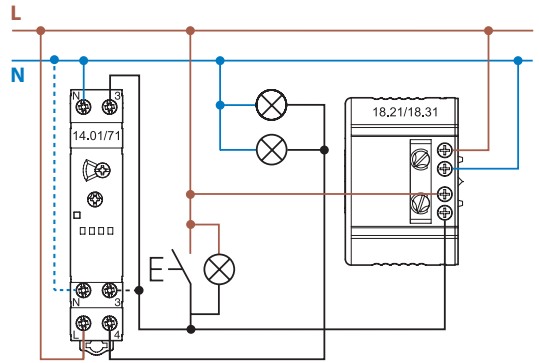
Note: If the load is powered by a phase other than the one that powers staircase light 14.11, a 50% reduction in the nominal lamp load must be applied.

14.01 or 14.71 without Staircase maintenance function, triggered by PIR movement detector (18 series).

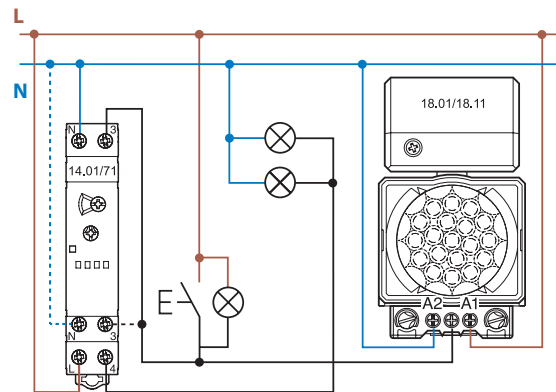
3 wire connection (with 18.21.8.230.0300 or 18.31.8.230.0300 only)



4 wire connection (with 18.21.8.230.0300 or 18.31.8.230.0300 only)

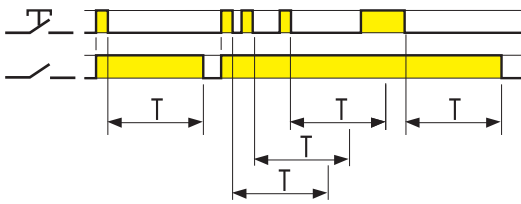


4 wire connection (with 18.01.8.230.0000 or 18.11.8.230.0000 only)



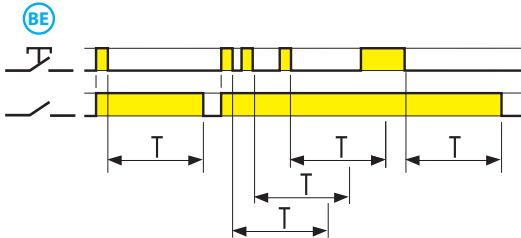
Functions

Type 14.01 Functions selectable with front rotary selector



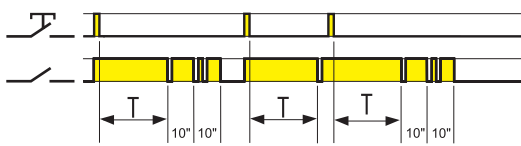
(BE) Staircase timer

On initial impulse the output contact closes and timing starts for the pre-set duration; subsequent impulses during the timing period will extend the timing period by the full pre-set value.
On expiry of the time delay, the output contact opens.



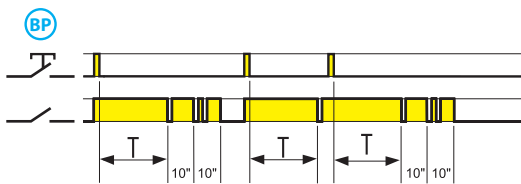
(ME) Staircase timer + Staircase maintenance

In addition to the Staircase timer function (BE), an impulse of ≥ 5 seconds will close the output contact for 60 minutes, after which time the contact will open. Ideal for maintenance or cleaning activities. The 60 minute timing can be interrupted by a further impulse of ≥ 5 seconds, and the output contact then opens



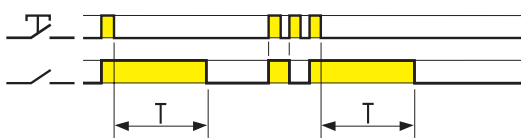
(BP) Staircase timer with early warning

On initial impulse the output contact closes and the timing starts for the pre-set duration. After the timing period, the output contact blinks off once; 10secs later the contact blinks off twice, and after a further 10secs the contact opens.
During the pre-set and 20 second warning time, it is possible, by a further impulse, to extend the time by the full pre-set value.



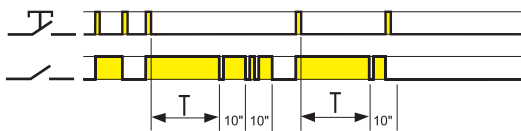
(MP) Staircase timer with early warning + Staircase maintenance

In addition to the Staircase timer function (BP), an impulse of ≥ 5 seconds will close the output contact for 60 minutes, after which time the contact will open. Ideal for maintenance or cleaning activities. The 60 minute timing can be interrupted by a further impulse of ≥ 5 seconds, and the output contact then opens



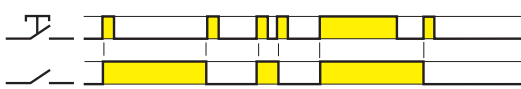
(IT) Timing step relay

On initial impulse the output contact closes and timing starts for the pre-set duration; On expiry of the time delay, the output contact opens.
During the timing period it is possible to immediately open the contact with a further impulse.



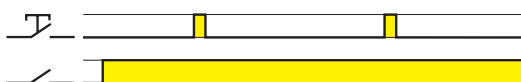
(IP) Timing step relay with early warning

On initial impulse the output contact closes and timing starts for the pre-set duration; After the timing period, the output contact blinks off once; 10 secs later the contact blinks off twice, and after a further 10 secs the contact opens.
During the pre-set and 20 second warning time, it is possible to immediately open the output contact by a further impulse.



(RI) Step relay

After every impulse, the output contact changes state - alternately switching from open to closed and vice versa.



Light ON

With this function set - the output contact stays permanently closed.

NOTE: The blinking within the Early Warning functions (BP and IP) could cause re-start problems for fluorescent lamps with electromagnetic chokes (both conventional and compact types); We consequently suggest not to use such lamps with these functions.

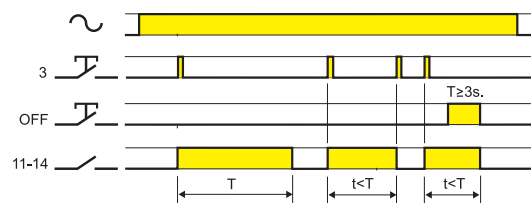
Functions

Type 14.11 Functions selectable with front rotary selector



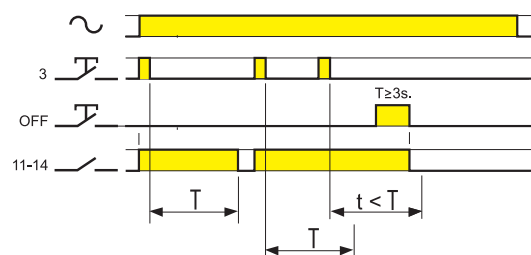
(RI) Step relay

The device works like a classic step relay: the output changes state each time pushbutton (3) is pressed. Pressing OFF for more than 3 seconds forces the output to the off state.



(IT) Timing step relay

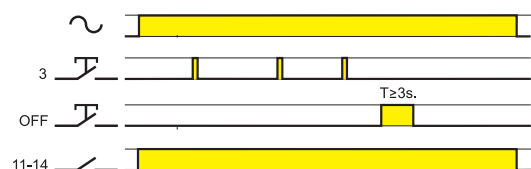
On initial impulse the output contact closes and timing starts for the pre-set duration; On expiry of the time delay, the output contact opens. During the timing period it is possible to immediately open the contact with a further impulse. Pressing OFF for more than 3 seconds forces the output to the off state.



(BE) Staircase timer

On initial impulse the output contact closes and timing starts for the pre-set duration; subsequent impulses during the timing period will extend the timing period by the full pre-set value.

On expiry of the time delay, the output contact opens. Pressing OFF for more than 3 seconds forces the output to the off state.



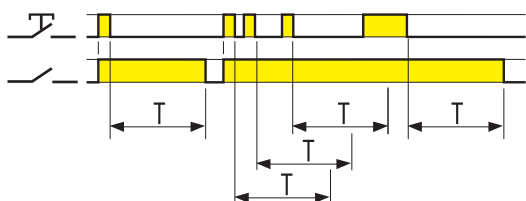
Light ON

With this function set - the output contact stays permanently closed.

Type 14.71 Functions selectable with front selector

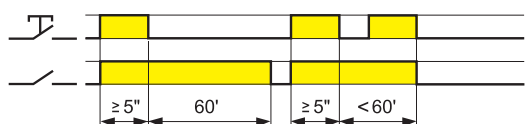
3-function front selector

	⊖ Staircase timer + Staircase maintenance
	⊖ Light ON
	⊖ Staircase timer (compatible with 18 series movement detectors)



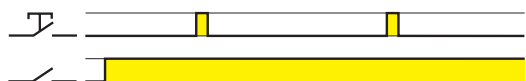
⊖ Staircase timer

On initial impulse the output contact closes and timing starts for the pre-set duration; subsequent impulses during the timing period will extend the timing period by the full pre-set value. On expiry of the time delay, the output contact opens.



Staircase maintenance

An impulse of ≥ 5 seconds will close the output contact for 60 minutes, after which time the contact will open. Ideal for maintenance or cleaning activities. The 60' timing can be interrupted by a further impulse of ≥ 5 seconds, the output contact opens.

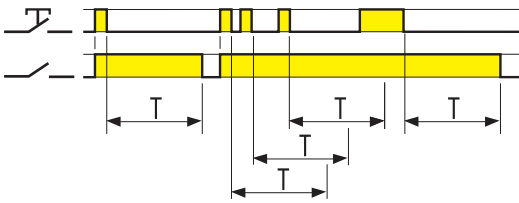


⊖ Light ON

With this function set - the output contact stays permanently closed.

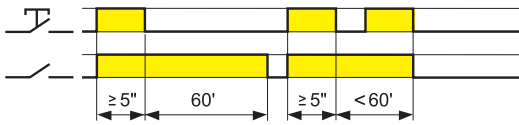
Functions

Type 14.81



Staircase timer

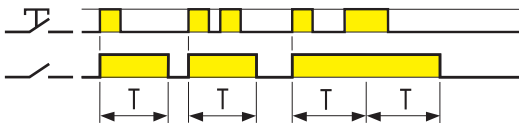
On initial impulse the output contact closes and timing starts for the pre-set duration; subsequent impulses during the timing period will extend the timing period by the full pre-set value. On expiry of the time delay, the output contact opens.



"Staircase maintenance" function

An impulse of ≥ 5 seconds will close the output contact for 60 minutes, after which time the contact will open. Ideal for maintenance or cleaning activities. The 60' timing can be interrupted by a further impulse of ≥ 5 seconds, which will re-establish the staircase timer function; so on expiry of the staircase time delay, the output contact opens.

Type 14.91

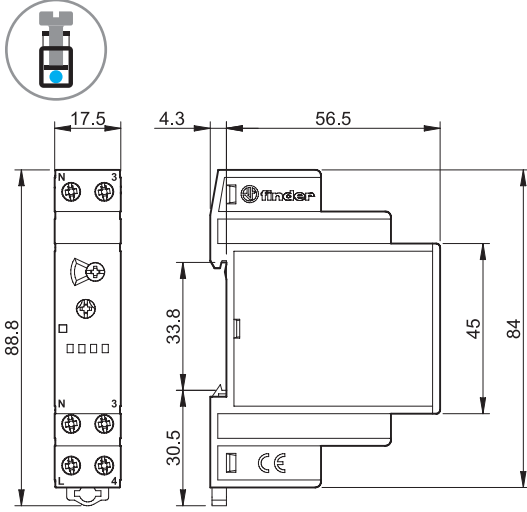


Signal ON pulse

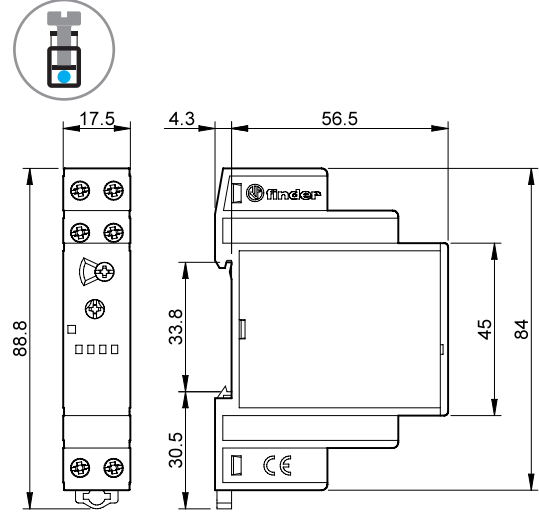
On initial impulse the output contact closes, and remain so for the duration of the preset delay. On expiry of the time delay, the output contact opens.

Outline drawings

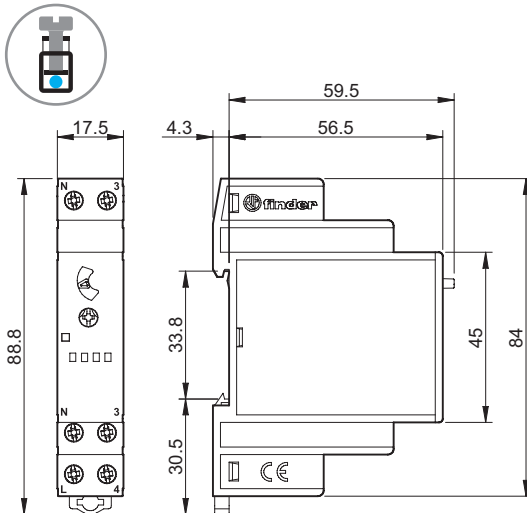
Type 14.01
Screw terminal



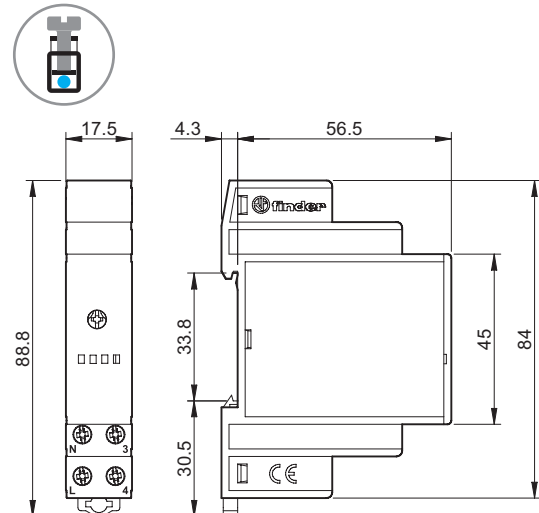
Type 14.11
Screw terminal



Type 14.71
Screw terminal



Type 14.81
Screw terminal



Type 14.91
Screw terminal

