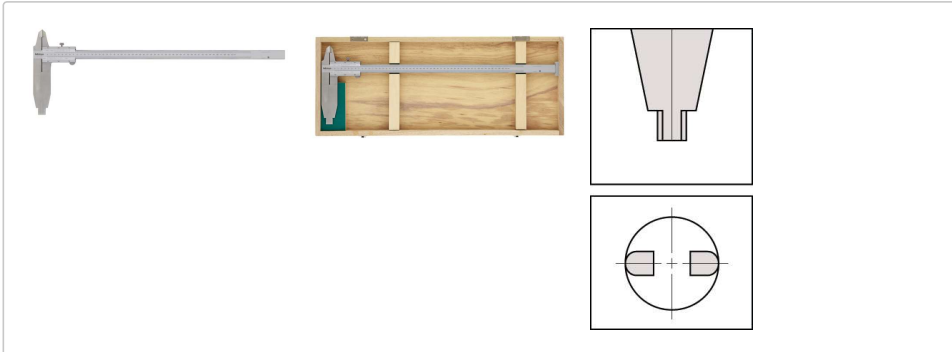




Vernier Caliper, Standard Jaws Nib Style

0-500mm, 0,05mm, Metric

Item number: 533-404



Description

These vernier calipers with nib style and standard jaws let you take easy, metric measurements. They offer you the following benefits:

- You can read inside and outside measurements directly from the upper and lower vernier scales.
- Main scale and vernier scale satin chrome finish gives you high readability.

Features

| | |
|-------------------------------|-----------------|
| Inside measuring from: | 20.1 mm |
| Max. Permissible Error E MPE: | ±0,10 mm |
| Max. Permissible Error S MPE: | ±0,10 mm |
| Mass: | 1200 g |
| Graduation: | 0.05 mm |
| Delivered: | In a box |

Dimensions

