

JUMO GmbH & Co. KG

Delivery address: Mackenrodtstraße 14,
36039 Fulda, Germany
Postal address: 36035 Fulda, Germany
Phone: +49 661 6003-0
Fax: +49 661 6003-607
E-mail: mail@jumo.net
Internet: www.jumo.net

JUMO Instrument Co. Ltd.

JUMO House
Temple Bank, Riverway
Harlow - Essex CM20 2DY, UK
Phone: +44 1279 63 55 33
Fax: +44 1279 63 52 62
E-mail: sales@jumo.co.uk
Internet: www.jumo.co.uk

JUMO Process Control, Inc.

8 Technology Boulevard
Canastota, NY 13032, USA
Phone: 315-697-JUMO
1-800-554-JUMO
Fax: 315-697-5867
E-mail: info@jumo.us
Internet: www.jumo.us



JUMO ecoLine / JUMO BlackLine pH and redox combination electrodes

in glass or plastic shaft versions

201005 series - pH electrodes

201010 series - redox electrodes

Brief description

The electrodes of the JUMO ecoLine and JUMO BlackLine series are high-quality measurement sensors with a good price/performance ratio.

Active pH component: The JUMO ecoLine and JUMO BlackLine electrodes are equipped with low-resistance JUMO UW glass. This guarantees fast and safe measurement results.

Active redox component: A sturdy platinum tip provides safe measurements and makes the sensor easy to clean.

Reference system: Acrylamide-free JUMO gel is used in the glass and PEI plastic shaft versions. This highly viscous KCl solution is ideal for measurement in general, aqueous media. The electrolyte can be equipped with an optional "salt reserve" to increase the service life when measurements take place in media with fewer ions or at high flow rates. A polymerized solid KCl electrolyte is used in the JUMO BlackLine version. The JUMO cartridge-style conduction system has proved its worth over the years and is the reference system used here. This keeps the electrolyte free of silver ions throughout the life of the sensor, making it less susceptible to electrode poisons.

In the "glass shaft" (1) version, JUMO ecoLine electrodes have a ceramic diaphragm. A glass fiber diaphragm is provided for the plastic shaft version made from transparent PEI (2). A push-on protection basket guards the sensor when it is used with hand-held meters. The JUMO BlackLine (3) has a high-quality ceramic diaphragm. The shaft is made from black PPO and has an integrated protection basket.

The option is available to have the electrodes delivered in a storage container (holder). This is recommended if sensors are only used sporadically, to refresh them after lengthy periods of intensive use, or if they are stored for extended periods of time.

OEM versions of all sensors can be supplied to order.

Special versions are available on request.

Areas of application

- Drinking water monitoring and treatment
- Swimming pools
- Aquariums (also marine aquariums)
- Greenhouse systems
- Lightly polluted service water, process water and wastewater
- Rainwater, pond water and surface water
- Hand-held meters

Not recommended for:

- Electroplating water treatment
- Industrial process water and wastewater
- Ultra-pure water
- Therapy pools
- Biotechnology, sterilization processes

For other applications, refer to the data sheets
for JUMO tecLine or JUMO labLine pH and redox electrodes!



- (1) Glass shaft version
- (2) Version with plastic shaft and push-on protection basket
- (3) JUMO BlackLine version with plastic shaft and fixed protection basket

JUMO GmbH & Co. KG
 Delivery address: Mackenrodtstraße 14,
 36039 Fulda, Germany
 Postal address: 36035 Fulda, Germany
 Phone: +49 661 6003-0
 Fax: +49 661 6003-607
 E-mail: mail@jumo.net
 Internet: www.jumo.net

JUMO Instrument Co. Ltd.
 JUMO House
 Temple Bank, Riverway
 Harlow - Essex CM20 2DY, UK
 Phone: +44 1279 63 55 33
 Fax: +44 1279 63 52 62
 E-mail: sales@jumo.co.uk
 Internet: www.jumo.co.uk


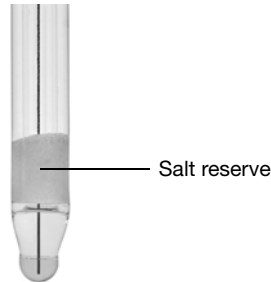
JUMO Process Control, Inc.
 8 Technology Boulevard
 Canastota, NY 13032, USA
 Phone: 315-697-JUMO
 1-800-554-JUMO
 Fax: 315-697-5867
 E-mail: info@jumo.us
 Internet: www.jumo.us



Technical data

	Glass shaft version (Figure 1, page 1/8)	Version with plastic shaft and push-on protection basket (Figure 2, page 1/8)	JUMO BlackLine Version with plastic shaft and fixed protection basket (Figure 3, page 1/8)
Shaft material	glass	PEI ¹	PPO ²
Diaphragm	ceramic	glass filament	ceramic
Conduction system	plastic cartridge		
Temperature range	0 to 60°C		
Pressure range ³	0 to 6bar		
Fitting length	120mm		
Electrode head	plug cap plug cap with fixed cable Pg 13.5 screw cap Pg13.5 screw cap with fixed cable The connecting cable of versions with a fixed cable has anti-kink protection. Versions with a fixed cable have IP68 enclosure protection		
Active pH component	UW glass (pH 0 - 12, briefly pH 14)		
Active redox component	platinum tip (±2000mV)		
Electrolyte	gel (highly viscous KCl solution)		solid electrolyte

Extra codes

KCl reservoir (holder), extra code 052	Salt reserve, extra code 837
 <p>The foot of the KCl reservoir can also be used as a mounting wrench for pH and redox electrodes with a Pg 13.5 thread. The indentations in the (detachable) foot of the reservoir fit the hexagon flats of the electrode head. When storing the electrodes, the reservoir must be filled with KCl (not with buffer solution or similar).</p>	 <p>The option is available to equip the electrode with a salt reserve, in the form of four salt rings (see illustration). This is recommended when using the electrode in media with fewer ions or at high flow rates. The salt reserve helps to increase the service life of the electrode. The rings are not a manufacturing defect (crystallization).</p>

¹ PEI = polyetherimide

² PPO = polyphenylene oxide

³ The pressure figures relate to stable conditions at the installation location: severe pressure surges and fluctuations should be avoided.

JUMO GmbH & Co. KG
 Delivery address: Mackenrodtstraße 14,
 36039 Fulda, Germany
 Postal address: 36035 Fulda, Germany
 Phone: +49 661 6003-0
 Fax: +49 661 6003-607
 E-mail: mail@jumo.net
 Internet: www.jumo.net

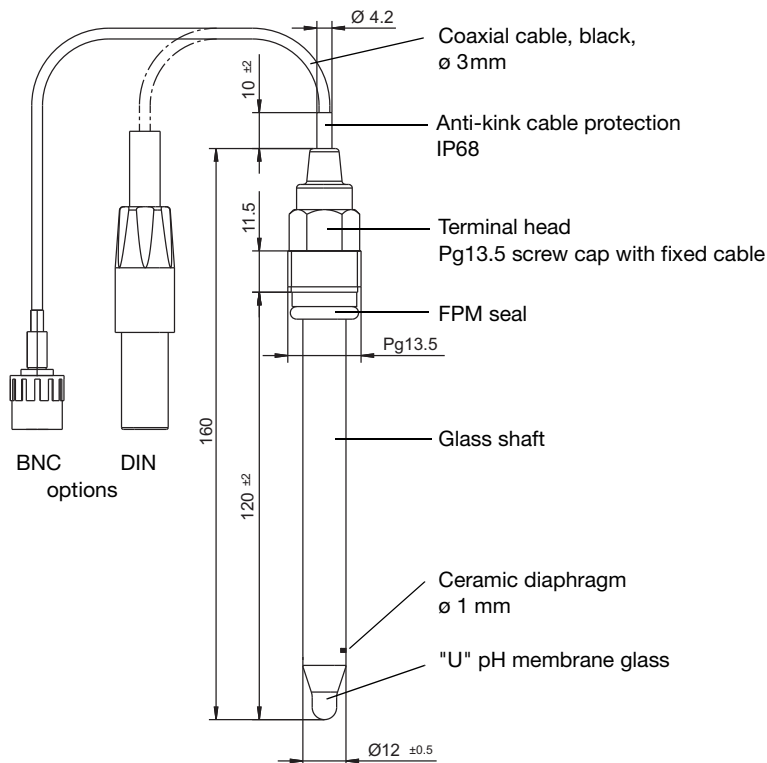
JUMO Instrument Co. Ltd.
 JUMO House
 Temple Bank, Riverway
 Harlow - Essex CM20 2DY, UK
 Phone: +44 1279 63 55 33
 Fax: +44 1279 63 52 62
 E-mail: sales@jumo.co.uk
 Internet: www.jumo.co.uk

JUMO Process Control, Inc.
 8 Technology Boulevard
 Canastota, NY 13032, USA
 Phone: 315-697-JUMO
 1-800-554-JUMO
 Fax: 315-697-5867
 E-mail: info@jumo.us
 Internet: www.jumo.us

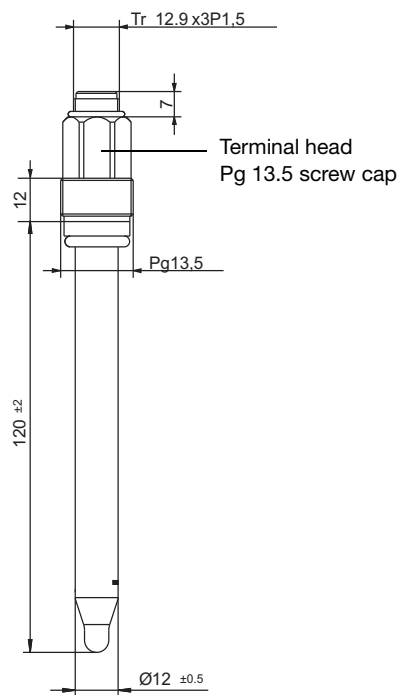


Dimensions

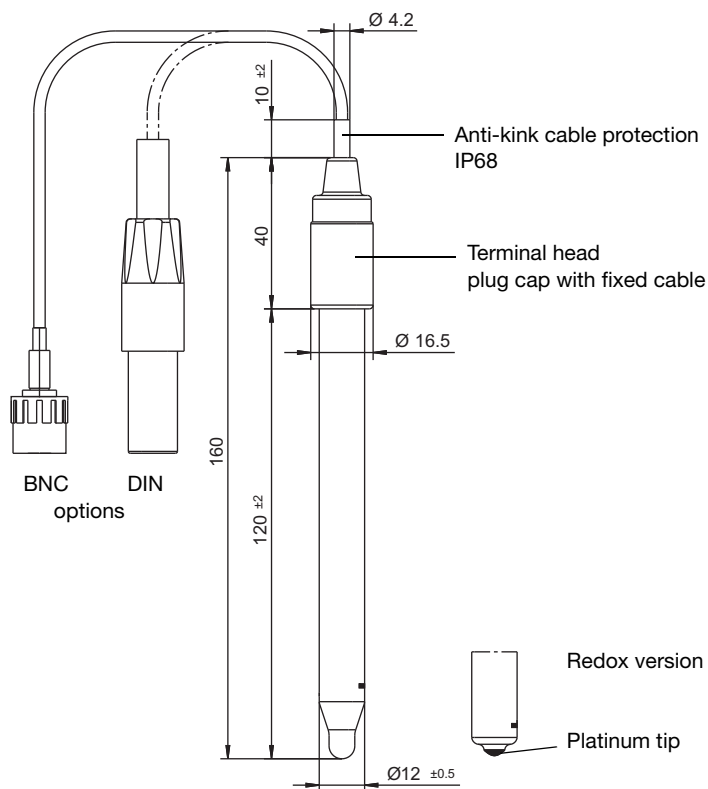
Glass shaft version



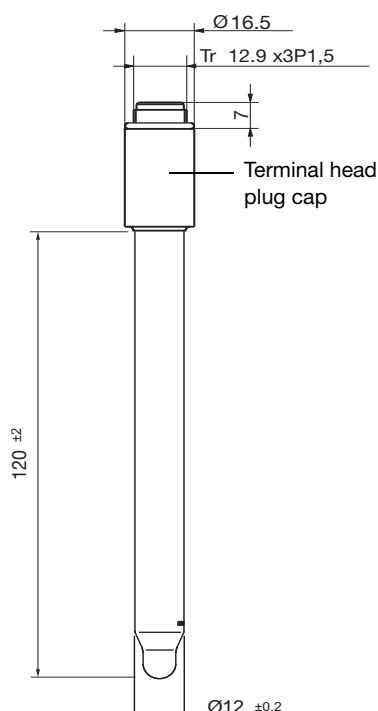
Type 2010xx/51-18-60-xxxx-xx-120/000



Type 2010xx/51-18-22-0000-00-120/000



Type 2010xx/51-18-40-xxxx-xx-120/000



Type 2010xx/21-18-51-0000-00-120/000

JUMO GmbH & Co. KG
 Delivery address: Mackenrodtstraße 14,
 36039 Fulda, Germany
 Postal address: 36035 Fulda, Germany
 Phone: +49 661 6003-0
 Fax: +49 661 6003-607
 E-mail: mail@jumo.net
 Internet: www.jumo.net

JUMO Instrument Co. Ltd.
 JUMO House
 Temple Bank, Riverway
 Harlow - Essex CM20 2DY, UK
 Phone: +44 1279 63 55 33
 Fax: +44 1279 63 52 62
 E-mail: sales@jumo.co.uk
 Internet: www.jumo.co.uk

JUMO Process Control, Inc.
 8 Technology Boulevard
 Canastota, NY 13032, USA
 Phone: 315-697-JUMO
 1-800-554-JUMO
 Fax: 315-697-5867
 E-mail: info@jumo.us
 Internet: www.jumo.us



Order details: JUMO ecoLine / JUMO BlackLine - pH / redox combination electrodes with glass shaft

	(1) Basic type	
	201005	pH electrodes
	201010	redox electrodes
	(2) Basic type extension	
x x	51	Glass version, ceramic diaphragm, gel-sealed, K cartridge
	(3) Active component	
x	18	UW glass (for pH version)
x	22	platinum tip (for redox version)
	(4) Electrical connection	
o o	21	plug cap
x x	22	Pg 13.5 screw cap
o o	40	plug cap with fixed cable
o o	60	Pg 13.5 screw cap with fixed cable
	(5) Cable length¹	
x x	0000	no cable
o o	xxxx	length in mm (whole meters only, max. 10m) standard length 1000mm (1m)
	(6) Instrument connector	
x x	00	none
o o	76	BNC connector
o o	78	DIN connector
	(7) Fitting length	
x x	120	120mm
	(8) Extra codes	
x x	000	none
o o	052	KCl reservoir (holder)
o o	837	salt reserve

x = as standard
 o = option
 - = not available

	(1)	(2)	(3)	(4)	(5)	(6)	(7)	(8)							
Order code	<input type="text"/>	/	<input type="text"/>	-	<input type="text"/>	-	<input type="text"/>	-	<input type="text"/>	/	<input type="text"/>	, ... ²			
Order example	201005	/	51	-	18	-	21	-	2000	-	76	-	120	/	000

Note:

The type code is not a modular system.
 If possible, choose items listed under "**stock versions**" or "**production versions**" for your orders.
 We will have to technically inspect and approve a free combination of individual key features.

Stock versions (delivery 3 working days after receipt of order)

Type	Description	Sales No.
201005/51-18-22-0000-00-120/000	pH, glass shaft, Pg 13.5 screw cap	20/00405532
201010/51-22-22-0000-00-120/000	Redox, glass version, Pg 13.5 screw cap	20/00413906

Production version (delivery 10 working days after receipt of order)

Type	Description	Sales No.
201005/51-18-60-1000-76-120/000	pH, glass shaft, 1 m fixed cable with PG 13.5, BNC connector	20/00459671

¹ Possible only for 40 or 60 electrical connection.

² List extra codes in sequence, separated by commas.

JUMO GmbH & Co. KG
 Delivery address: Mackenrodtstraße 14,
 36039 Fulda, Germany
 Postal address: 36035 Fulda, Germany
 Phone: +49 661 6003-0
 Fax: +49 661 6003-607
 E-mail: mail@jumo.net
 Internet: www.jumo.net

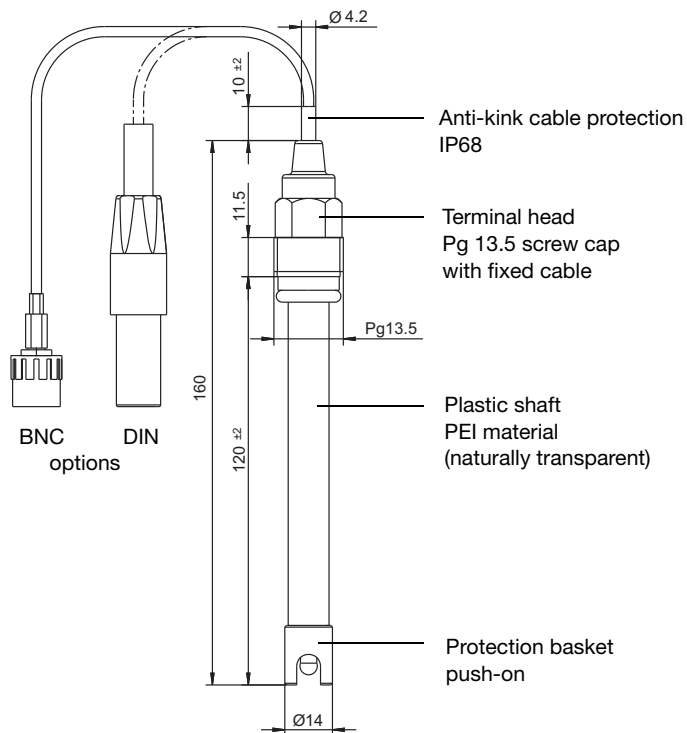
JUMO Instrument Co. Ltd.
 JUMO House
 Temple Bank, Riverway
 Harlow - Essex CM20 2DY, UK
 Phone: +44 1279 63 55 33
 Fax: +44 1279 63 52 62
 E-mail: sales@jumo.co.uk
 Internet: www.jumo.co.uk

JUMO Process Control, Inc.
 8 Technology Boulevard
 Canastota, NY 13032, USA
 Phone: 315-697-JUMO
 1-800-554-JUMO
 Fax: 315-697-5867
 E-mail: info@jumo.us
 Internet: www.jumo.us

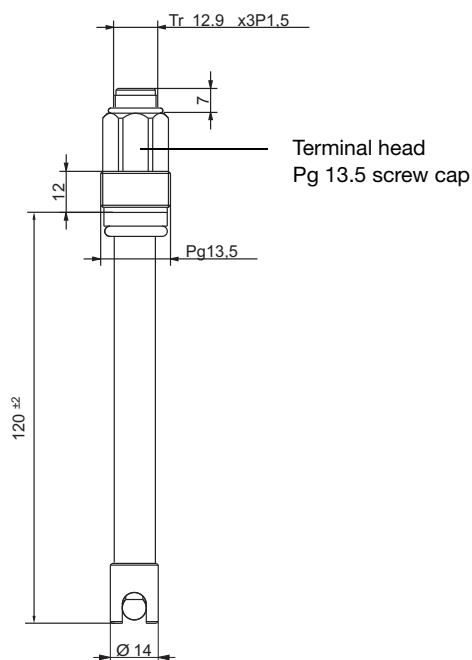


Dimensions

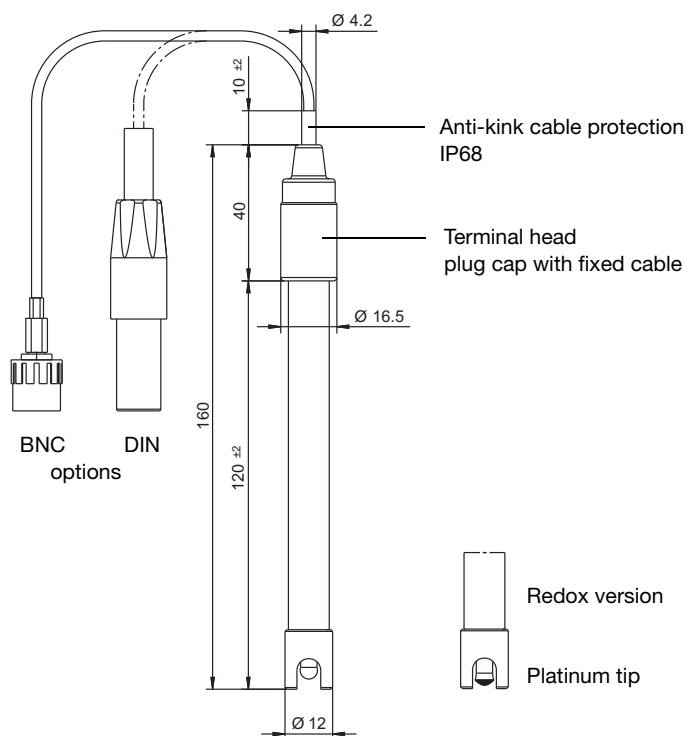
Version with (PEI) plastic shaft and push-on protection basket



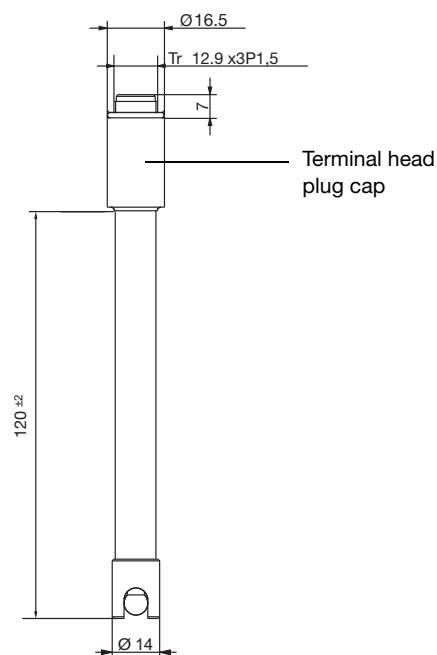
Type 201005/53-18-60-xxxx-xx-120/000 (pH)
 Type 201010/53-22-60-xxxx-xx-120/000 (redox)



Type 201005/53-18-22-0000-00-120/000 (pH)
 Type 201010/53-22-22-0000-00-120/000 (redox)



Type 201005/53-18-40-xxxx-xx-120/000 (pH)
 Type 201010/53-22-40-xxxx-xx-120/000 (redox)



Type 201005/21-18-0000-00-120/000 (pH)
 Type 201010/53-22-21-0000-00-120/000 (redox)

JUMO GmbH & Co. KG
 Delivery address: Mackenrodtstraße 14,
 36039 Fulda, Germany
 Postal address: 36035 Fulda, Germany
 Phone: +49 661 6003-0
 Fax: +49 661 6003-607
 E-mail: mail@jumo.net
 Internet: www.jumo.net

JUMO Instrument Co. Ltd.
 JUMO House
 Temple Bank, Riverway
 Harlow - Essex CM20 2DY, UK
 Phone: +44 1279 63 55 33
 Fax: +44 1279 63 52 62
 E-mail: sales@jumo.co.uk
 Internet: www.jumo.co.uk

JUMO Process Control, Inc.
 8 Technology Boulevard
 Canastota, NY 13032, USA
 Phone: 315-697-JUMO
 1-800-554-JUMO
 Fax: 315-697-5867
 E-mail: info@jumo.us
 Internet: www.jumo.us



Order details:

**JUMO ecoLine / JUMO BlackLine - pH / redox combination electrodes
 with plastic shaft and push-on protection basket**

	(1) Basic type	
	201005	pH electrodes
	201010	redox electrodes
	(2) Basic type extension	
x x	53	PEI plastic shaft ¹ , gel-sealed, glass filament diaphragm, K cartridge
	(3) Active component	
x	18	UW glass (for pH version)
x	22	platinum tip (for redox version)
	(4) Electrical connection	
o o	21	plug cap
x x	22	Pg 13.5 screw cap
o o	40	plug cap with fixed cable
o o	60	Pg 13.5 screw cap with fixed cable
	(5) Cable length²	
x x	0000	no cable
o o	xxxx	length in mm (whole meters only, max. 10m) standard length 1000mm (1 m)
	(6) Instrument connector	
x x	00	none
o o	76	BNC connector
o o	78	DIN connector
	(7) Fitting length	
x x	120	120mm
	(8) Extra codes	
x x	000	none
o o	052	KCl reservoir (holder)
o o	837	salt reserve

x = as standard
 o = option
 - = not available

Order code	(1)	(2)	(3)	(4)	(5)	(6)	(7)	(8)	, ... ³
Order example	201005	/ 53	- 18	- 21	- 1000	- 76	- 120	/ 000	

Note:

The type code is not a modular system.
 If possible, choose items listed under "stock versions" or "production versions" for your orders.
 We will have to technically inspect and approve a free combination of individual key features.

Stock versions (delivery 3 working days after receipt of order)

Type	Description	Sales No.
201005/53-18-22-0000-00-120/000	pH, PEI shaft, Pg 13.5 screw cap	20/00357022
201010/53-22-22-0000-00-120/000	Redox, PEI shaft, Pg 13.5 screw cap	20/00357020

Production versions (delivery 10 working days after receipt of order)

Type	Description	Sales No.
201005/53-18-40-1000-78-120/000	pH, PEI shaft, 1 m fixed cable, no thread, DIN connector	20/00300149
201005/53-18-21-0000-00-120/000	pH, PEI shaft, plug cap	20/00300192
201005/53-22-40-1000-76-120/000	Redox, PEI shaft, 1 m fixed cable, no thread, BNC connector	20/00343525

¹ PEI = polyetherimide.
² Possible only for 40 or 60 electrical connection.
³ List extra codes in sequence, separated by commas.

JUMO GmbH & Co. KG
 Delivery address: Mackenrodtstraße 14,
 36039 Fulda, Germany
 Postal address: 36035 Fulda, Germany
 Phone: +49 661 6003-0
 Fax: +49 661 6003-607
 E-mail: mail@jumo.net
 Internet: www.jumo.net

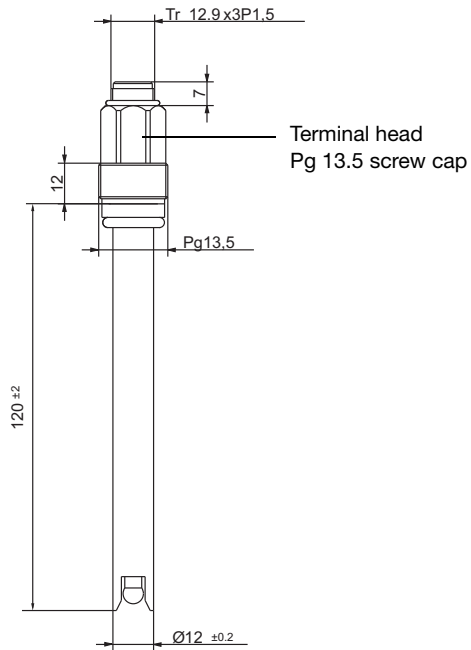
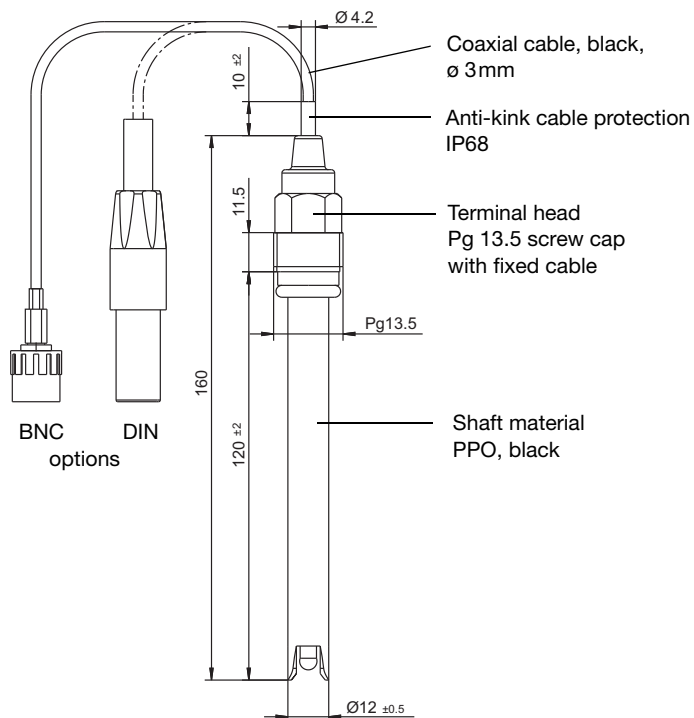
JUMO Instrument Co. Ltd.
 JUMO House
 Temple Bank, Riverway
 Harlow - Essex CM20 2DY, UK
 Phone: +44 1279 63 55 33
 Fax: +44 1279 63 52 62
 E-mail: sales@jumo.co.uk
 Internet: www.jumo.co.uk

JUMO Process Control, Inc.
 8 Technology Boulevard
 Canastota, NY 13032, USA
 Phone: 315-697-JUMO
 1-800-554-JUMO
 Fax: 315-697-5867
 E-mail: info@jumo.us
 Internet: www.jumo.us



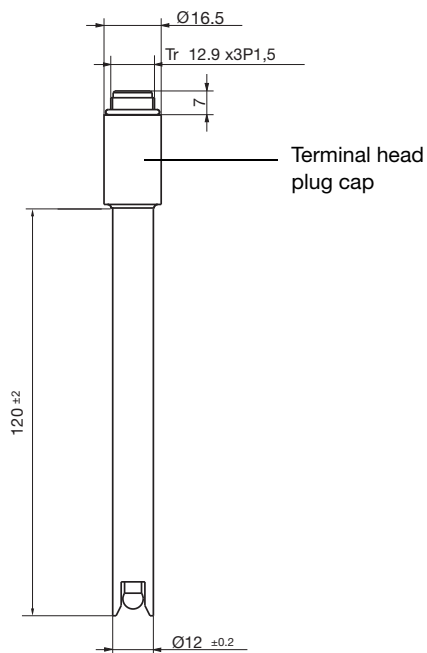
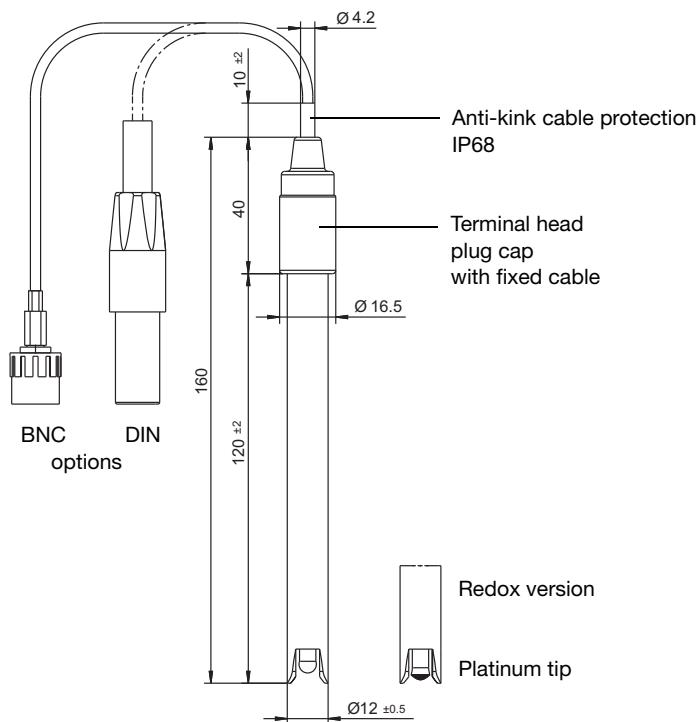
Dimensions

JUMO BlackLine: version with (PPO) plastic shaft and fixed protection basket



Type 201005/65-18-65-xxxx-xx-120/000 (pH)
 Type 201010/65-22-65-xxxx-xx-120/000 (redox)

Type 201005/65-18-22-0000-00-120/000 (pH)
 Type 201010/65-22-22-0000-00-120/000 (redox)



Type 201005/65-18-45-xxxx-xx-120/000 (pH)
 Type 201010/65-22-45-xxxx-xx-120/000 (redox)

Type 201005/65-18-21-0000-00-120/000 (pH)
 Type 201010/65-22-21-0000-00-120/000 (redox)

JUMO GmbH & Co. KG
 Delivery address: Mackenrodtstraße 14,
 36039 Fulda, Germany
 Postal address: 36035 Fulda, Germany
 Phone: +49 661 6003-0
 Fax: +49 661 6003-607
 E-mail: mail@jumo.net
 Internet: www.jumo.net

JUMO Instrument Co. Ltd.
 JUMO House
 Temple Bank, Riverway
 Harlow - Essex CM20 2DY, UK
 Phone: +44 1279 63 55 33
 Fax: +44 1279 63 52 62
 E-mail: sales@jumo.co.uk
 Internet: www.jumo.co.uk

JUMO Process Control, Inc.
 8 Technology Boulevard
 Canastota, NY 13032, USA
 Phone: 315-697-JUMO
 1-800-554-JUMO
 Fax: 315-697-5867
 E-mail: info@jumo.us
 Internet: www.jumo.us



Order details:

**JUMO ecoLine / JUMO BlackLine - pH / redox combination electrodes
 with plastic shaft and push-on protection basket**

	(1) Basic type	
	201005	pH electrodes
	201010	redox electrodes
	(2) Basic type extension	
x x	65	BlackLine version, PPO plastic shaft ¹ black, gel-sealed, ceramic diaphragm, solid electrolyte, cartridge-style conduction system
	(3) Active component	
x	18	UW glass (for pH version)
x	22	platinum tip (for redox version)
	(4) Electrical connection	
o o	21	plug cap
x x	22	Pg 13.5 screw cap
o o	45	plug cap with fixed cable
o o	65	Pg 13.5 screw cap with fixed cable
	(5) Cable length²	
x x	0000	no cable
o o	xxxx	length in mm (whole meters only, max. 10m) standard length 2000mm (2m)
	(6) Instrument connector	
x x	00	none
o o	76	BNC connector
o o	78	DIN connector
	(7) Fitting length	
x x	120	120 mm
	(8) Extra codes	
o o	052	KCl reservoir (holder)
x x	837	salt reserve (standard)

x = as standard
 o = option
 - = not available

Order code (1) (2) (3) (4) (5) (6) (7) (8) , ...³
Order example 201005 / 65 - 18 - 22 - 2000 - 00 - 120 / 000

Note:

The type code is not a modular system.
 If possible, choose items listed under "stock versions" or "production versions" for your orders.
 We will have to technically inspect and approve a free combination of individual key features.

Stock versions (delivery 3 working days after receipt of order)

Type	Description	Sales No.
201005/65-18-22-0000-00-120/837	pH, Pg 13.5 screw cap, no cable	20/00419812
201005/65-18-45-2000-76-120/837	pH, no thread, 2m fixed cable, BNC connector	20/00417300
201005/65-18-65-2000-76-120/837	pH, with Pg 13.5 thread, 2m fixed cable, BNC connector	20/00424828
201010/65-22-45-2000-76-120/837	Redox, no thread, 2m fixed cable, BNC connector	20/00417301
201010/65-22-65-2000-76-120/837	Redox, with Pg 13.5 thread, 2m fixed cable, BNC connector	20/00424950

¹ PPO = polyphenylene oxide.

² Possible only for 45 or 65 electrical connection.

³ List extra codes in sequence, separated by commas.