

# ABSOLUTE Digimatic Caliper with Nib Style and Standard Jaws

## Series 551

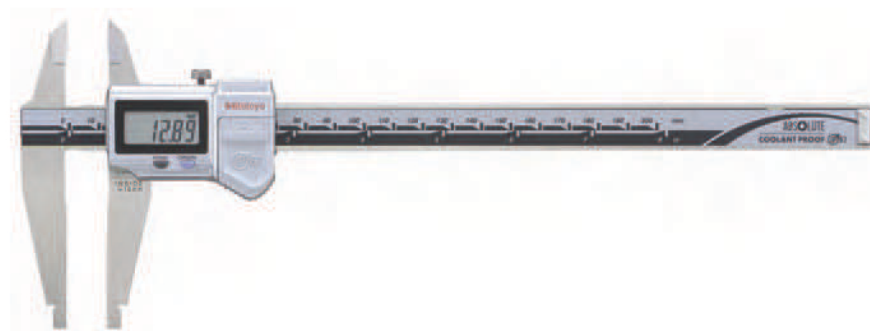
This is a Digimatic caliper with nib-style and standard jaws. It offers you the following benefits:

- Knife-shaped measuring surfaces allow you to take outside measurements.
- Rounded measuring surfaces enable you to measure inside dimensions.
- ABSOLUTE System delivers reliable measurements.

ABSOLUTE®



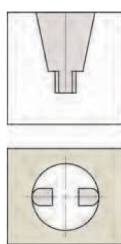
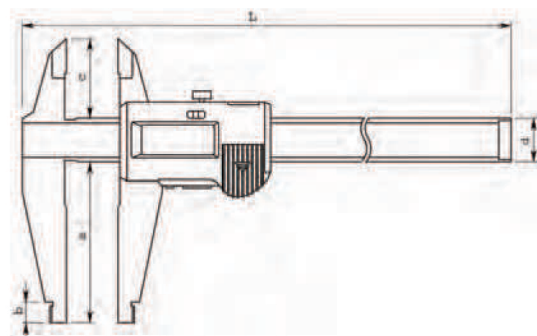
200/300 mm



551-301-10

### Metric

No.	Range [mm]	Accuracy	Inside measuring from	Remarks	L [mm]	a [mm]	b [mm]	c [mm]	d [mm]	Mass [g]
551-301-10	0-200	±0,03 mm	10 mm	IP67	290	60	8	30	16	196
551-331-10	0-300	±0,04 mm	10 mm	IP67	403	90	10	40	20	420
551-204-10	0-500	±0,06 mm	20 mm		680	150	18	56	25	1060
551-206-10	0-750	±0,06 mm	20 mm		963	150	18	56	25	1410
551-207-10	0-1000	±0,07 mm	20 mm		1230	150	20	56	32	3430



Round surface of jaws for measuring inside dimensions

Functions	Series 551			
	551-204-10	up to 551-207-10	551-301-10	551-331-10
ORIGIN (ABS-Zero)		●	●	●
OFFSET*			●	●
ON/OFF		●		
Auto Power OFF after 20 min. non use			●	●
Low voltage alarm		●	●	●
Data output		●	●	●
PRESET				●

### Specifications

Accuracy	Refer to the list of specifications (excluding quantizing error)
Max. response speed	Unlimited
Digital step	0,01 mm
Display	LCD; Character Height 7.5 mm (200 mm) 10,2 mm (300 mm) 10 mm (> 300 mm)
Battery life	approx. 3 years (200 mm), 1 years (300 mm), 3,5 year (>300 mm)
Delivered	In a case, including 1 battery

### Optional accessories

No.	Description
959149	Digimatic cable with data switch (1 m)
959150	Digimatic cable with data switch (2 m)
02AZD790C	U-WAVE Data Cable with data switch
06ADV380C	USB Input tool Direct cable with data switch (2 m)
959143	Data-hold unit

### Optional accessories for IP67

No.	Description
05CZA624	Digimatic cable with data switch (1 m)
05CZA625	Digimatic cable with data switch (2 m)
02AZD790A	Connecting cable U-Wave with data switch
06ADV380A	USB Input Tool Direct cable (2 m)

### Consumable spares

No.	Description
938882	Battery SR44



\*10 mm