



## MP3 Alert/Melody/Alarm Horn



LISTED (M3 Not Included)



(12/24V Only)



**110dB at 1m**

**63 Channels** (Binary)

**IP65**

**NPN/PNP**  
Open-collector

**Cable**



**Terminal**

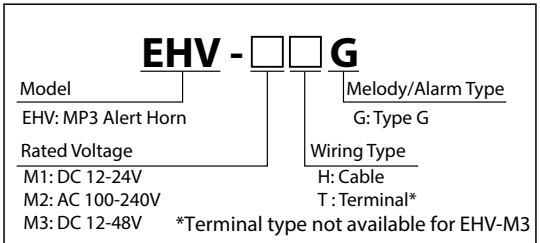


## Exceptional Sound Quality Field-programmable MP3 Alarm

### FEATURES

- EHV comes with 63 binary channels with adjustable volume up to 110dB (@ 1m).
- EHV offers a field-programmable MP3 function with a maximum of 220 sec. of recording time (@ 64bps), ideal for plant-wide notification and process control.
- Robust, indoor and outdoor use with vibration resistance up to 4.5G, ideal for public address.
- Compliant to UL464 (EHV-M3 Not Included), CSA-C22.2 NO.205-M1983, FCC Part 15 Subpart B Class 4.
- Protection Rating of IP65 and CE (EHV-M2 Not Included), RoHS Compliant.

### How to Order



### EHS vs EHV (Functionality Comparisons)

Model	Onboard Sounds	MP3 Playback	Playback Modes	No. of Playback Channels
EHS	32 Sounds	No	1 Mode	8 ch Bit Input/ 32 ch Binary Input
EHV	63 Sounds	Yes*	4 Modes	8 ch Bit Input/ 63 ch Binary Input

\*Internal Memory size of 2 Mbytes, maximum playback of 220 seconds at a 64kbit/sec rate

### 4 Playback Modes

**Normal Playback**

Designated audio message is played back by distinctive signal input. Audio message is played back once in case of one shot input, and audio message is repeated when the signal is input continuously.

**Latest Input Priority Playback**

When a signal is input during a message playback, the current message playing back will be stopped, and the message of the signal input will be played instead.

**Memory Playback**

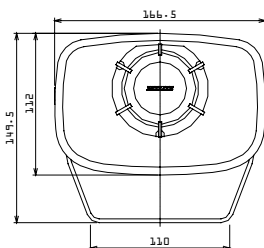
Up to 23 audio message inputs can be memorized in order of input. After one playback is finished, the next memorized audio message will be played back. The inputs exceeding the limit will not be memorized.

**Momentary Playback**

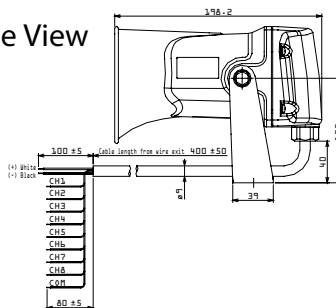
Audio message is played back only while the signal input is maintained. Playback will be stopped when the signal input is stopped.

### Dimensions (Unit: mm)

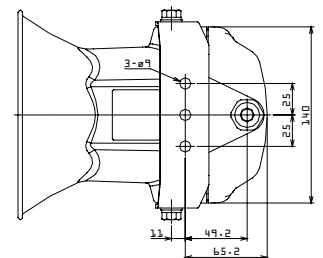
Front View



Side View

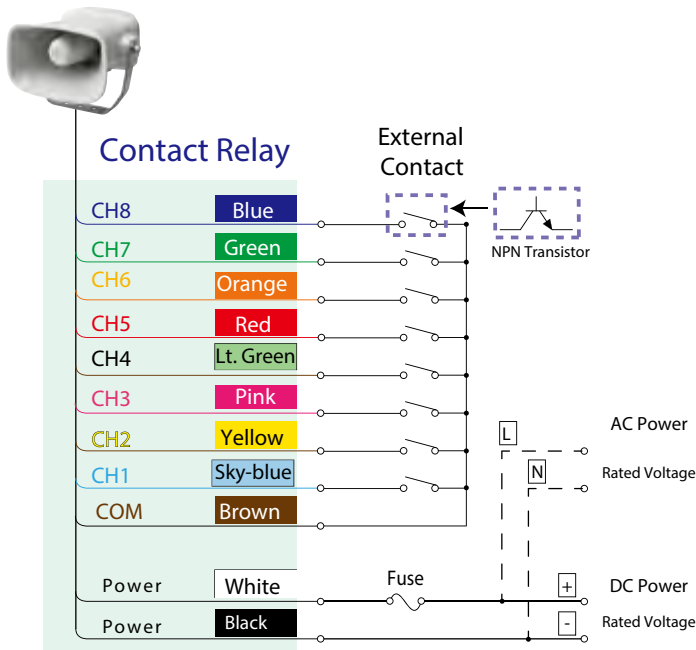


Underside View

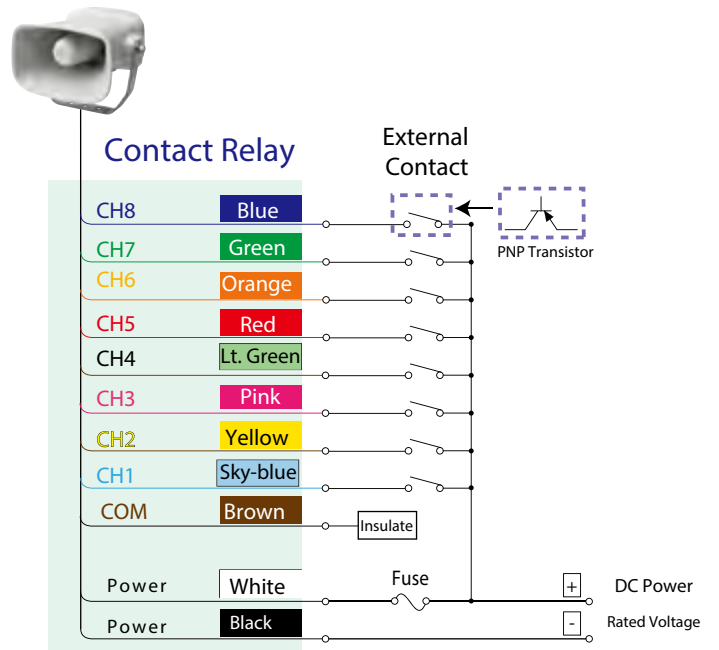


# Wiring

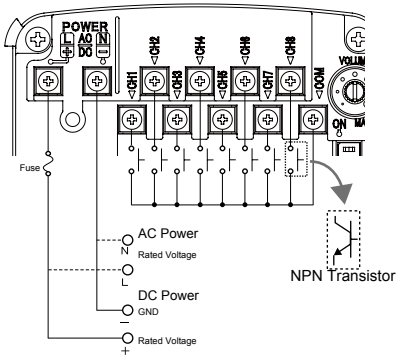
## Non-voltage (NPN) Wiring



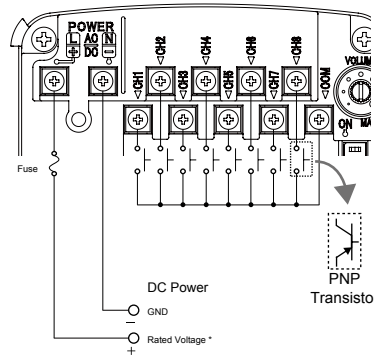
## PNP Wiring



## Terminal (NPN)



## Terminal (PNP)



Transistor Capacity (NPN & PNP)	
Current Capacity	$I_c \geq 15\text{mA}$
Current Leakage	$I_l \leq 0.1\text{mA}$
Withstand Voltage	$V_c \geq 35\text{V}$
ON Voltage( $V_{sat}$ )	Less than 1V

Recommended Fuse	
Rated Voltage	250V
Rated Current	1A
Fuse Type	Standard

Maximum Inrush Current	
EH□-M1	12.5A
EH□-M2	23.0A
EH□-M3	45.0A

# Specifications

## EHV

Model	Rated Voltage	Voltage Range	Power Consumption	Sound Pressure	Operating Temperature Range	No. of Playback Messages	Protection Rating	Wiring Type	Mass
EHV- M1H	DC 12 - 24V	DC 10.8V to 26.4V	4.0W (DC24V NPN, Non-voltage Contact) 5.0W (DC24V PNP, Voltage Contact)	Alarm: Max. 110dB (at 1m)  MP3: Max. 105dB (at 1m)	-20°C to +50°C (85% RH or less)	Bit Input: 8 Binary Input: 63	IP65	Cable	1.25kg
EHV- M1T								Terminal	
EHV- M3H	DC 12 - 48V	DC 10V to 60V	5.6W (DC48V NPN, Non-voltage Contact)					Cable	1.15kg
EHV- M2H	AC 100 - 240V	AC 90V to 264V	5.3W (AC240V NPN, Non-voltage Contact)					Cable	1.25kg
EHV- M2T				Terminal					

### Notes:

- The sound pressure level is based on measurements under controlled conditions (voice-synthesized 1 kHz sine wave played back from a distance of 1 meter), therefore the surrounding environmental conditions and message content will result in different values for the sound pressure level.
- Even when starting two or more units simultaneously, a lag will occur during message playback.
- MPEG Layer-3 audio coding technology licensed from Fraunhofer IIS and Thompson Licensing

## Get the Playlist Editor 2 (free from PATLITE)

- Contact us by E-mail located on the back of this catalog.
- Convert any message into MP3 data and save it onto an SD Card (with the use of the Playlist Editor 2).
- Insert the SD Card into a PATLITE MP3 product for easy programming.

Application Software	Usable	Outline
PATLITE Playlist Editor 2	Yes	This is a newer version of the PATLITE Playlist Editor. A playlist package can be created and the MP3 data and channel function assignment for the product can be rewritten.
FV-Win	No	This product is not compatible with the playlist created by FV-Win or the PATLITE Playlist Editor. However, the playlist can be changed into a playlist package using the PATLITE Playlist Editor 2.
PATLITE Playlist Editor	No	

# Melody Charts

Type A (Japan Only)			
Beep (slow intermittent)	Stutter (rapid intermittent)	Bell (clear high-pitch)	Yelp (rapid siren)
Rapid Hi-Lo	Melody Chime	Synthesized Piano	Synthesized Bell
Stutter + Bell	Synthesized Melody Chime	Chime	Call Sign
Fur Elise	Maiden's Prayer	Bach Minuet in Gmaj	Annie Laurie
London Bridge is falling down	Hol-di-ri-Dia	Mary had a little Lamb	Camptown Races
Cuckoo Song	Village Blacksmith	On the Bridge of Avignon	Daydream Believer
Amaryllis	Mozart Symphony No. 40	Quiet Lakeside	Ich bin ein Musikante
Spanish Romance	Katyusha	Grandfather's Clock	Ave Maria

Type C (Japan Only)			
Beep (slow intermittent)	Stutter (rapid intermittent)	Bell (clear high-pitch)	Yelp (rapid siren)
Rapid Hi-Lo	Melody Chime	Synthesized Piano	Synthesized Bell
Stutter + Bell	Synthesized Melody Chime	Chime	Call Sign
Can't take my eyes off of you	Top of the World	The Entertainer	Amazing Grace
Amairono Kamino Otome	Les Champs-Elysees	Canon	Rara Sunshine
Uchuusenkan Yamamoto	Oshiete	Makenaide	Gonna Fly Now (Theme from 'Rocky')
I don't Wanna Miss a Thing	Yozorano Mukou	Aiwa Katsu	Haruyo Koi
Gattsudaze	Odoru Ponpokorin	Imasugu Kisu Mi	Truth

Type D (Japan Only)			
Beep (slow intermittent)	Stutter (rapid intermittent)	Bell (clear high-pitch)	Yelp (rapid siren)
Rapid Hi-Lo	Melody Chime	Synthesized Piano	Synthesized Bell
Runnerz	Mamotte Agetai	Chime	Call Sign
Iribiao Kikinagara	September	Doyoubino Koibito	Akino Kehai
Saafu Tengoku Sukii Tengoku	Iro White-blend	Happy Birthday	Hi Ho
I've been working on the Railroad	The Bear Song	Toys Go "Cha-cha-cha"	Konnako Irukana
Schubert's Lullaby	Rudolph the red-nosed Reindeer	She Wore a Yellow Ribbon	My Darling, Clementine
Yellow Rose of Texas	Yankee Doodle	When the Saints Go Marching In	Londonderry Air

Type E (Worldwide)			
Beep (slow intermittent)	Stutter + Bell	Inverted Reveille	Annie Laurie
Stutter (rapid intermittent)	Melody Chime	Galactic Motor	London Bridge is falling down
Bell (clear high-pitch)	Chime	Ringling Phone	Mary had a little Lamb
Yelp (rapid siren)	Call Sign	Two Tone	Camptown Races
Rapid Hi-Lo	Train Ride	Alarm Clock	Amaryllis
Melody Chime	Galloping Hi-Lo	Ringling Hi-Lo	Mozart Symphony No. 40
Synthesized Piano	Alien Chatter	Fur Elise	Ave Maria
Synthesized Bell	Falling Crystals	Bach Minuet in Gmaj	Grandfather's Clock

Type-F (Japan Only)				
Beep (slow intermittent)	Spring Melody	A Maiden's Prayer	Quiet Lakeside	BANZAI SUKIDEYOKATTA
Stutter (rapid intermittent)	Game Intermission	Bach Minuet in Gmaj	The Music Man	NAMONAKI UTA
Bell (clear high-pitch)	Jalopy Horn	Annie Laurie	Spanish Romance	SOUSEINO AKUERION
Yelp (rapid siren)	ET Doorbell	London Bridge is falling down	Katyusha	MAMBO NO 5
Rapid Hi-Lo	RR-crossing	Holdiridia	Ave Maria	The Parade of the Tin Soldiers
Melody Chime	Digital Train Whistle	Mary had a little Lamb	Grandfather's Clock	Turkey in the Straw
Synthesized Piano	Train Ride	The Camptown Races	RHYTHM AND POLICE	Aka tombo
Synthesized Bell	Starting Notice Chime1	Cuckoo Song	ZANKOKUNA TENSHINO TEEZE	Funiculi, Funicula
Stutter + Bell	Starting Notice Chime2	Village Blacksmith	MAJINGAA ZETTO	Furusato
Melody Chime	Starting Notice Chime3	On the Bridge of Avignon	HATARAKU KURUMA	Beautiful Dreamer
Chime	Ending Notice Chime1	Daydream Believer	NINGENTE IINA	JOLLY HOLIDAY
Call Sign	Ending Notice Chime2	Amaryllis	ROBINSON	
Galactic Hovercraft	Fur Elise	Mozart Symphony No. 40	WORLD FOOTBALL ANTHEM	

Type-G (Worldwide)				
Beep (slow intermittent)	Galloping Hi-Lo	ET Doorbell	Mozart Symphony No. 40	Polka Trablanka
Stutter (rapid intermittent)	Alien Chatter	RR-crossing	Ave Maria	O Vreneli
Bell (clear high-pitch)	Falling Crystals	Starting Notice Chime1	Grandfather's Clock	KAERUNO GASSHOU
Yelp (rapid siren)	Inverted Reveille	Starting Notice Chime2	The Parade of the Tin Soldiers	El Condor Pasa (If I Could)
Rapid Hi-Lo	Galactic Motor	Ending Notice Chime1	If You're Happy and You Know It	Hungarian Dance No.5
Melody Chime	Ringling Phone	Ending Notice Chime2	Flea Waltz	William Tell Overture
Synthesized Piano	Two Tone	Fur Elise	Turkey in the Straw	Pomp and Circumstance
Synthesized Bell	Alarm Clock	Bach Minuet in Gmaj	The Battle Hymn of the Republic	Comedians' Galop
Stutter + Bell	Ringling Hi-Lo	Annie Laurie	J'ai perdu le do de ma clarinette	Nedelka
Melody Chime	Galactic Hovercraft	London Bridge is falling down	Can-can	Moonlight Serenade
Chime	Spring Melody	Mary had a little Lamb	Radetzky March	WAREWA UMINO KO
Call Sign	Game Intermission	The Camptown Races	Funiculi, Funicula	
Train Ride	Jalopy Horn	Amaryllis	Csikos Post	

## Use of Copyrighted Material

PATLITE Corporation has not applied for permission to use certain copyrighted music or songs recorded for Type-A, Type-C, Type-D and Type-F melody charts outside of Japan. Therefore, please contact the local copyright association for permission before using the product in case this product is used outside of Japan. Melody charts Type-E and Type-G are recommended for use outside of Japan as this playlist does not include copyrighted music or songs, and permission is not required.