

Socket for relay with 4 C/O contacts, screw terminals, contact terminals all on upper side



Product designation  
Product type designation

SOCKET  
HR6X

**Contact characteristics**

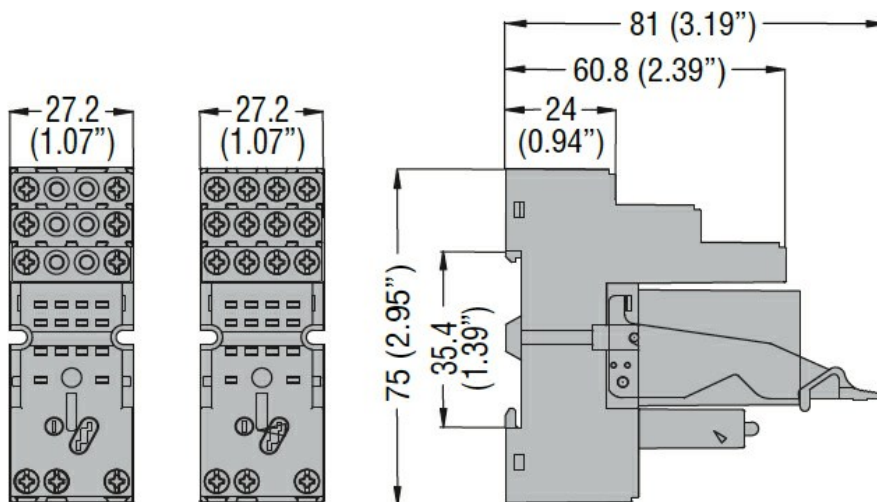
Rated insulation voltage $U_i$ IEC/EN	V	250
Rated impulse withstand voltage $U_{imp}$	kV	4

**Mechanical features**

Fixing

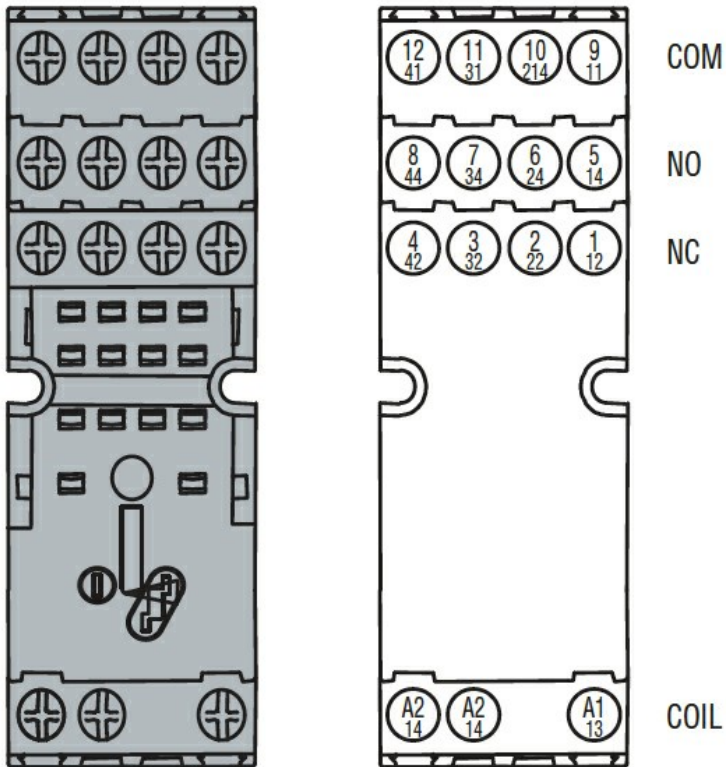
On 35mm DIN rail and with screw

**Dimensions**



**Wiring diagrams**

Socket for relay with 4 C/O contacts, screw terminals, contact terminals all on upper side



**Certifications and compliance**

Compliance

IEC/EN 61810

Certificates

CSA

cURus

EAC

**ETIM classification**

ETIM 8.0

EC001456 -  
Relay socket