

Incremental hollow shaft encoder BTIH

features

- miniature hollow shaft encoder
- high resolution up to 1024 pulses
- housing diameter 24 mm
- mounting with clamping ring and spring plate



general data

voltage supply	5 VDC ±5% (05T) 10 - 30 VDC (24K)
max. supply current no load	typ. 25 mA (at 5 VDC) (05T) typ. 25 mA (at 24 VDC) (24K)
pulse range	see order designation
pulse tolerance	±10%
max. switching frequency	100 kHz

mechanical data

max. revolutions	12'000 rpm
torque	max. 0,7 cNm (20 °C)
max. protection class	shaft: IP 54 housing: IP 54
material	housing: aluminum
weight	approx. 50 g

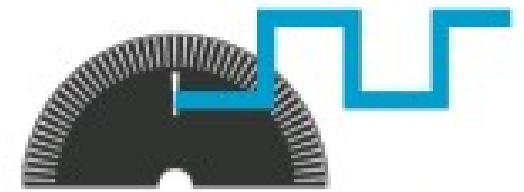
ambient conditions

temperature range	-20...+85 °C
relative humidity	max. 95% non condensing
vibration	IEC 60068-2-6 (≤ 100 m/s ² / 55-2'000 Hz)
shock	IEC 60068-2-27 (≤ 300 m/s ² / 11 ms)
noise immunity	EN 61000-6-2
emitted interference	EN 61000-6-3

order designation

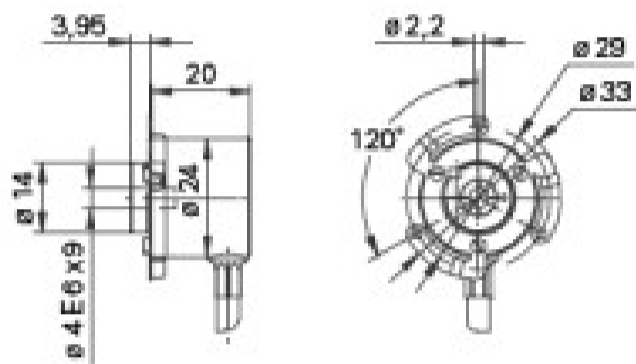
BTIH 24D16 **T4**

connection	
4	cable 1m axial
5	cable 1m radial
shaft	
T4	hollow shaft 4 mm IP 54 with clamping ring and spring plate
standard pulse range	
30	300 600
60	360 1000
100	500 1024
voltage range, output signals	
05T	5 VDC TTL
24K	10 - 30 VDC push-pull, short-circuit protection



dimensions

-5



assignment cable

for connection reference -4 and -5

05T (5 VDC TTL)

24K (10 - 30 VDC push-pull, short-circuit protection)

cable color	signals
brown	+Vs
green	CHA
yellow	CHB
grey	CHN
white	0 V
screen	connected to flange

1