

Datasheet - AZM 161-B6-2177 WITH CENTERING GUIDE

Solenoid interlock / AZM 161 / Actuator

 Preferred typ

- For very small actuating radii



(Minor differences between the printed image and the original product may exist!)

Ordering details

Product type description	AZM 161-B6-2177 MIT ZENTRIERHILFE
Article number	101174113
EAN code	4030661303291
eCl@ss	27-27-92-16

Global Properties

Product name	Beweglicher Betätiger B6-2177 mit Zentrierhilfe
Weight	35 g

Mechanical data

Design of actuators	flexible
Minimum actuating radius	95 mm

notice

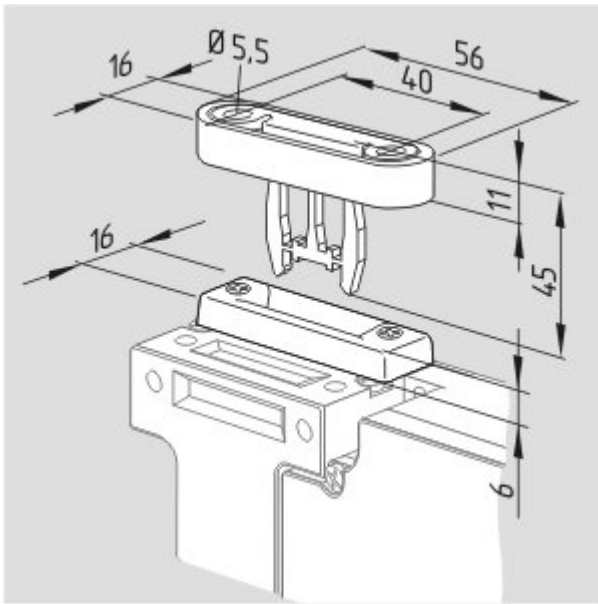
Similarly, minimum actuating radius 95 mm in line with the plane of the actuator, adjustable using an hexagonal key wrench 2,5 mm A/F (a)
On hinged guards, minimum actuating radius 95 mm, at 90° to the plane of the actuator, adjustable using an hexagonal key wrench 2,5 mm A/F (b)

Documents

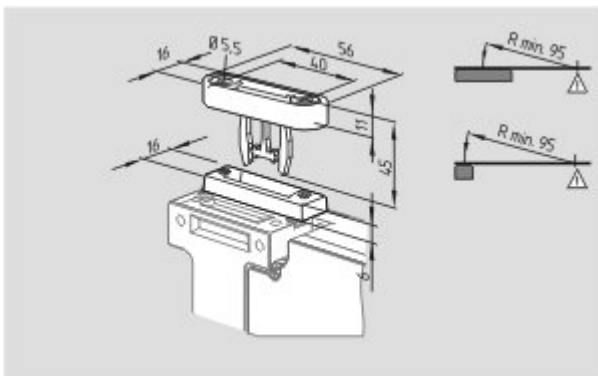
Mounting and wiring instructions (de, en, fr, it, es, jp) 203 kB, 08.07.2008

Code: m_zm1p02

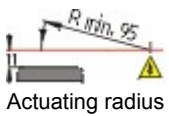
Images



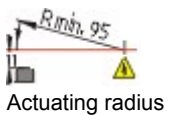
Dimensional drawing (miscellaneous)



Dimensional drawing (miscellaneous)



Actuating radius



Actuating radius

K.A. Schmersal GmbH & Co. KG, Mödinghofe 30, D-42279 Wuppertal

The data and values have been checked thoroughly. Technical modifications and errors excepted.

Generiert am 30.05.2015 - 14:35:55h Kasbase 3.1.12.F.64l