

EvoSIGNAL / EvoSIGNAL Accessories

Maxi angle GY



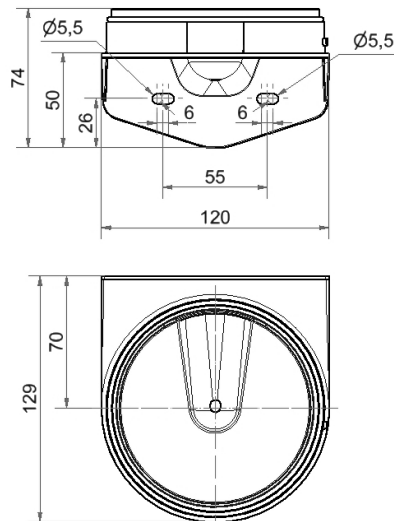
Part No.: 262.700.07



| MECHANICAL DATA | |
|-----------------------------|---------------|
| Width | 120 mm |
| Height | 74 mm |
| Materials | PC/ABS |
| Housing colour | Grey |
| Protection category | IP66 |
| Cable entry | Through hole |
| Cable entry maximum | d = 9 mm |
| Type of fixing | Wall mounting |
| Working temperature minimum | -30°C |
| Working temperature maximum | +60°C |
| UL Type Rating | Type 12 |
| Weight with packaging | 127 g |
| Product weight | 127 g |

| ELECTRICAL DATA | |
|------------------|---|
| Pollution degree | 3 |

DRAWING



! For additional installation and mounting information, refer to the appropriate user guide at www.werma.com. This printed copy is for information only and is subject to alteration.