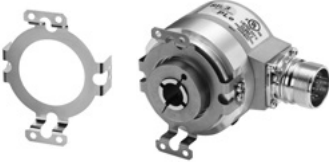




Fixing components for hollow shaft encoders	For encoders up to \varnothing 58 mm	Overview
---	--	----------

Figure	Description	Pitch circle diameter in mm [inch]	Order no.	Details s. page	Incremental encoders			Absolute singleturn encoders		Absolute multiturn encoders		
					3620, 3720	5020	5823, 5824, 5825	3670, 3671, M3678, F3673, F3678	5873, 5878, F5873 Motor-Line, 5870, 5872	F3683, F3688	M3681, M3683, M3688	5883, 5888, F5883, F5888, F5883M Motor-Line
	Spring element, short For applications with limited axial play and low dynamics, and reduced mounting space	36XX 42 [1.65] M36XX 42 [1.65] F36XX 42 [1.65] 37XX 40 [1.57] 50XX 42 [1.65] 58XX 42 [1.65] F58XX 42 [1.65]	8.0010.4H00.0000 <i>Connection to the application: cylindrical pin</i>	645	X	X	X	X	X	X	X	X
	Spring element, long For applications with axial play and low dynamics	36XX 60 [2.36] M36XX 60 [2.36] F36XX 60 [2.36] 37XX 63 [2.48] 50XX 44 [1.73] 58XX 65 [2.56] F58XX 65 [2.56]	8.0010.4100.0000 <i>Connection to the application: cylindrical pin</i>	645	X	X	X	X	X	X	X	X
	Torque stop, short (flexible) For applications with axial and radial play, low dynamics	64.5 [2.54]	8.0010.40M0.0000 <i>Connection to the application: 1 screw</i>	645		X	X		X			X
	Torque stop, medium (flexible) For applications with axial and radial play for constant rotary movements	65 ... 91.5 [2.56 ... 3.60]	8.0010.40E0.0000 <i>Connection to the application: 1 screw</i>	645		X	X		X			X
	Torque stop, long (flexible) For applications with axial and radial play and low dynamics	80 ... 170 [3.15 ... 6.69]	8.0010.4R00.0000 <i>Connection to the application: 1 screw</i>	646		X	X		X			X
	Stator coupling, double-winged For applications with axial and radial play and high dynamics	46 [1.81]	8.0010.4C00.0000 <i>Connection to the application: 2 screws</i>	646	X			X				
	Stator coupling, double-winged For applications with high demands for accuracy	63 [2.48]	8.0010.4D00.0000 <i>Connection to the application: 2 screws</i>	646		flange C + D	X		X			X
	Stator coupling, for fixing to side of encoder For standard applications with axial and radial play, and high dynamics	65 [2.56]	8.0010.1602.0000 <i>Connection to the application: 3 screws</i>	647		flange C + D	X		X			X
	Stator coupling, for fixing to front of encoder For applications with axial and radial play and high dynamics	65 [2.56]	8.0010.40L0.0000 <i>Connection to the application: 3 screws</i>	647		X	X		X			X
	Spring tether element For applications with low axial and radial play and low dynamics	42 ... 84.5 [1.65 ... 3.33]	8.0010.40W0.0000 <i>Connection to the application: 1 screw</i>	647		X	X		X			X


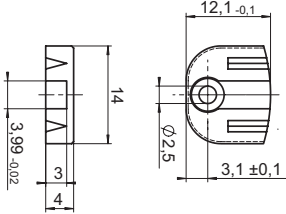

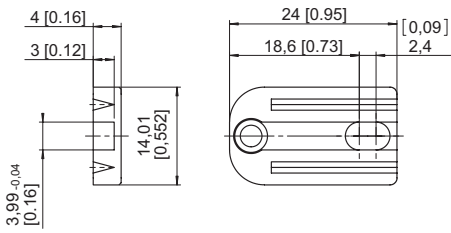

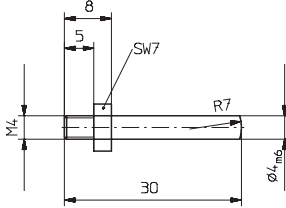
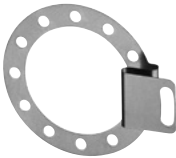
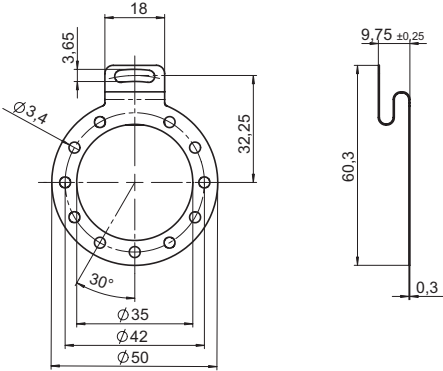
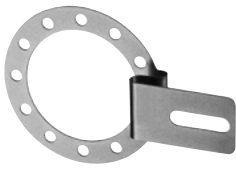
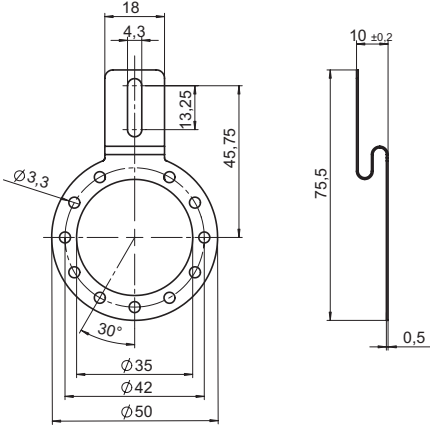
Accessories

Fixing components for hollow shaft encoders		For encoders up to \varnothing 58 mm				Overview					
Figure	Description	Pitch circle diameter in mm [inch]	Order no.	Details s. page	Incremental encoders			Absolute singleturn encoders		Absolute multiturn encoders	
					5834FSx	5020	5823, 5824, 5825	5873FSx	5873, 5878	5883FSx	5883, 5888, 5882, F5883, F5888, F5883M Motor-Line
	Stator coupling Designed for functional safety thanks to the 4-screw-principle.	63 [2.48]	8.0010.4048.00FS <i>Connection to the application:</i> 4 screws	648	X	X	X	X	X	X	X
	Torque stop, flexible Designed for functional safety. For applications with axial and radial play and low dynamics.	77 ... 278 [3.03 ... 10.94]	8.0010.4047.00FS <i>Connection to the application:</i> 1 screw	648	X	X	X	X	X	X	X
	Torque stop set, rigid Designed for functional safety. For applications with very low axial and radial play and low dynamics.	71 ... 281 [2.80 ... 11.06]	8.0010.4051.00FS <i>Connection to the application:</i> 1 screw	649	X	X	X	X	X	X	X


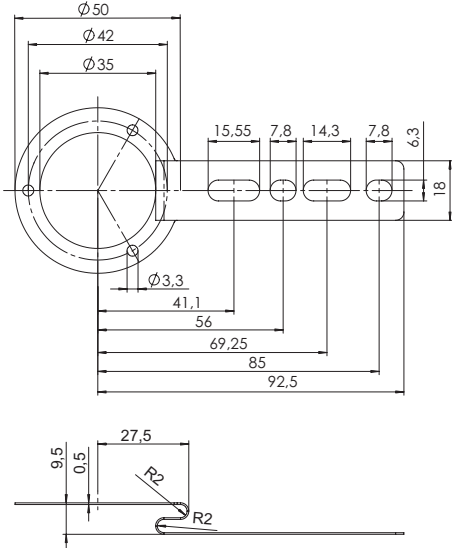

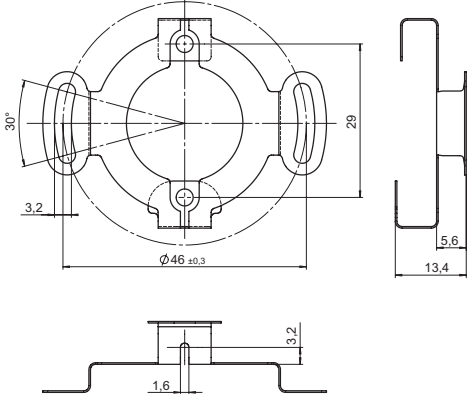

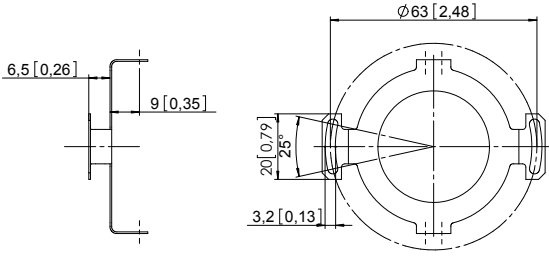
Accessories

Fixing components for hollow shaft encoders		For encoders > ø 58 mm			Overview		
Figure	Description	Pitch circle diameter in mm [inch]	Order no.	Details s. page	A020, A02H	9080, 9081	H120
	Spring element, short For applications with reduced mounting space	76 [2.99]	8.0010.4J00.0000 <i>Connection to the application:</i> cylindrical pin	650	X	X	
	Spring element, long For applications with high axial play	110 [4.33]	8.0010.4K00.0000 <i>Connection to the application:</i> cylindrical pin	650	X	X	
	Tether square For applications with axial and radial play with low dynamics for constant rotary movements	9080: 120 [4.72] 9081: 120 [4.72]	8.0010.4G00.0000 <i>Connection to the application:</i> 1 screw	650		X	
	Torque stop, short For applications with axial play	149 [5.87]	8.0010.4T00.0000 <i>Connection to the application:</i> s. details	650	X	X	
	Torque stop, long For applications with fastening points located on variable pitch circle diameters	104 ... 206 [4.09 ... 8.11]	8.0010.4E00.0000 <i>Connection to the application:</i> 1 screw	651	X	X	
	Tether arm, long For applications with low axial and radial play, flexible in use	Length = 70 [2.75]: Length = 100 [3.94]: Length = 150 [5.91]: 262 ... 422 [10.32 ... 16.61]	8.0010.40S0.0000 8.0010.40T0.0000 8.0010.40U0.0000 <i>Connection to the application:</i> 1 screw	651	X	X	X
	Tether arm, long For applications with low axial and radial play, flexible in use	Length = 70 [2.75]: Length = 100 [3.94]: Length = 150 [5.91]: 262 ... 422 [10.32 ... 16.61]	8.0010.40S1.0000 8.0010.40T1.0000 8.0010.40U1.0000 <i>Connection to the application:</i> 1 screw	652			X
	Stator coupling For applications with axial and radial play and high dynamics	119 [4.69]	8.0010.40V0.0000 <i>Connection to the application:</i> 2 screws	652	X		X


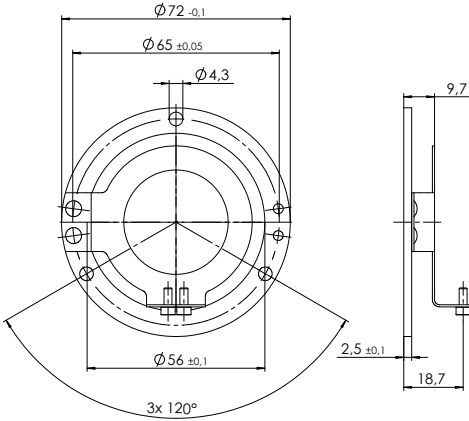

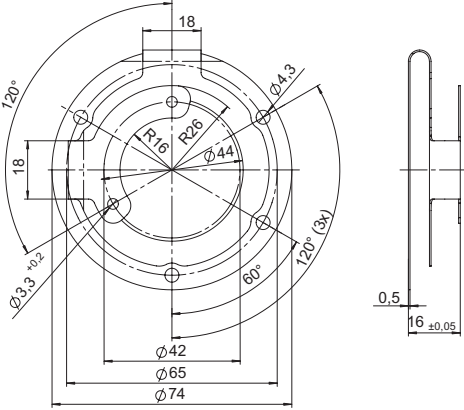


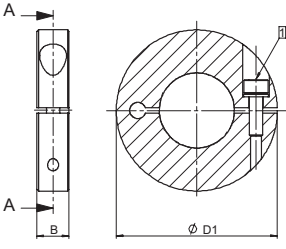
Accessories

Fixing components for hollow shaft encoders		For encoders up to \varnothing 58 mm	Details
Dimensions / Details	Dimensions in mm [inch]		Order no.
Spring element, short 		<i>Scope of delivery:</i> - spring element (plastic) - 1 screw for fixing to the encoder <i>Connection to application:</i> - cylindrical pin (8.0010.4700.0000) (not supplied)	8.0010.4H00.0000
Spring element, long 		<i>Scope of delivery:</i> - spring element (plastic) - 1 screw for fixing to the encoder <i>Connection to application:</i> - cylindrical pin (8.0010.4700.0000) (not supplied)	8.0010.4I00.0000
Cylindrical pin, long with fastening thread 		suitable for spring element short (8.0010.4H00.0000) and long (8.0010.4I00.0000)	8.0010.4700.0000
Torque stop, short 		<i>Scope of delivery:</i> - Fastening arm (stainless steel) - 3 screws for fixing to the encoder <i>Connection to application:</i> - 1 screw (not supplied)	8.0010.40M0.0000
Torque stop, medium 		<i>Scope of delivery:</i> - Fastening arm (stainless steel) - 3 screws for fixing to the encoder <i>Connection to application:</i> - 1 screw (not supplied)	8.0010.40E0.0000

Accessories

Fixing components for hollow shaft encoders		For encoders up to \varnothing 58 mm	Details
Dimensions / Details			Order no.
<p>Torque stop, long</p> 		<p><i>Scope of delivery:</i></p> <ul style="list-style-type: none"> - Fastening arm (stainless steel) - 3 screws for fixing to the encoder <p><i>Connection to application:</i></p> <ul style="list-style-type: none"> - 1 screw (not supplied) 	<p>8.0010.4R00.0000</p>
<p>Stator coupling, double-winged for front fixing onto the encoder flange</p> 		<p><i>Scope of delivery:</i></p> <ul style="list-style-type: none"> - Stator coupling (stainless steel) - 2 screws for fixing to the encoder <p><i>Connection to application:</i></p> <ul style="list-style-type: none"> - 2 screws (not supplied) 	<p>8.0010.4C00.0000</p>
<p>Stator coupling, double-winged for side fixing onto the encoder flange</p> 		<p><i>Scope of delivery:</i></p> <ul style="list-style-type: none"> - Stator coupling (stainless steel) - 4 screws M2.5 x 6 [0.24] for fixing to the encoders <p><i>Connection to application:</i></p> <ul style="list-style-type: none"> - 2 socket head screws M3 x 8 [0.32] with washer (supplied) 	<p>8.0010.4D00.0000</p>

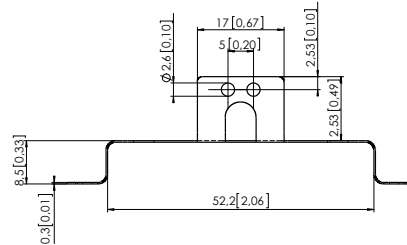
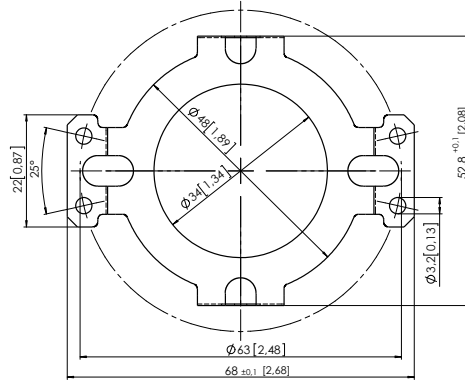
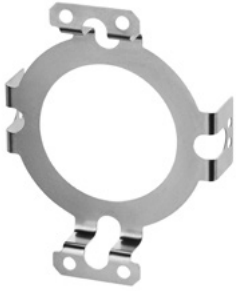
Accessories

Fixing components for hollow shaft encoders		For encoders up to \varnothing 58 mm	Details																							
Dimensions / Details	Dimensions in mm [inch]		Order no.																							
Stator coupling for side fixing onto the encoder flange 		<i>Scope of delivery:</i> - Stator coupling (stainless steel) - 2 screws for fixing to the encoder <i>Connection to application:</i> - 3 screws (not supplied)	8.0010.1602.0000																							
Stator coupling for front fixing onto the encoder flange 		<i>Scope of delivery:</i> - Stator coupling (stainless steel) - 2 screws for fixing to the encoder <i>Connection to application:</i> - 3 screws (not supplied)	8.0010.40L0.0000																							
Spring tether element 		<i>Scope of delivery:</i> - spring tether element - 1 screw for fixing to the encoder <i>Connection to application:</i> - 1 screw (not supplied)	8.0010.40W0.0000																							
Clamping ring Stainless steel, for high rotational speeds 		<table border="1"> <thead> <tr> <th></th> <th>for encoder</th> <th>B</th> <th>D1</th> <th>for hollow shaft \varnothing</th> <th></th> </tr> </thead> <tbody> <tr> <td rowspan="2">582X</td> <td></td> <td>6 [0.236]</td> <td>29 [1.14]</td> <td>10 [0.39]</td> <td>8.0000.4V00.0000</td> </tr> <tr> <td></td> <td>6.2 [0.244]</td> <td>30 [1.18]</td> <td>12 [0.47]</td> <td>8.0000.4W00.0000</td> </tr> <tr> <td>5020</td> <td></td> <td>6.2 [0.244]</td> <td>30 [1.18]</td> <td>12 [0.47]</td> <td>8.0010.4W01.0000</td> </tr> </tbody> </table>		for encoder	B	D1	for hollow shaft \varnothing		582X		6 [0.236]	29 [1.14]	10 [0.39]	8.0000.4V00.0000		6.2 [0.244]	30 [1.18]	12 [0.47]	8.0000.4W00.0000	5020		6.2 [0.244]	30 [1.18]	12 [0.47]	8.0010.4W01.0000	
	for encoder	B	D1	for hollow shaft \varnothing																						
582X		6 [0.236]	29 [1.14]	10 [0.39]	8.0000.4V00.0000																					
		6.2 [0.244]	30 [1.18]	12 [0.47]	8.0000.4W00.0000																					
5020		6.2 [0.244]	30 [1.18]	12 [0.47]	8.0010.4W01.0000																					
		1 screw DIN 912 A2 M2.5, max. tightening torque 0.45 Nm																								

Fixing components for hollow shaft encoders	For encoders up to \varnothing 58 mm	Details
--	--	----------------

Dimensions / Details	Dimensions in mm [inch]	Order no.
----------------------	-------------------------	-----------

Stator coupling



Scope of delivery:

- Stator coupling (stainless steel)
- 4 screws M3x6 mm [M3 x 0.24"] for fixing to the encoder

Connection to application:

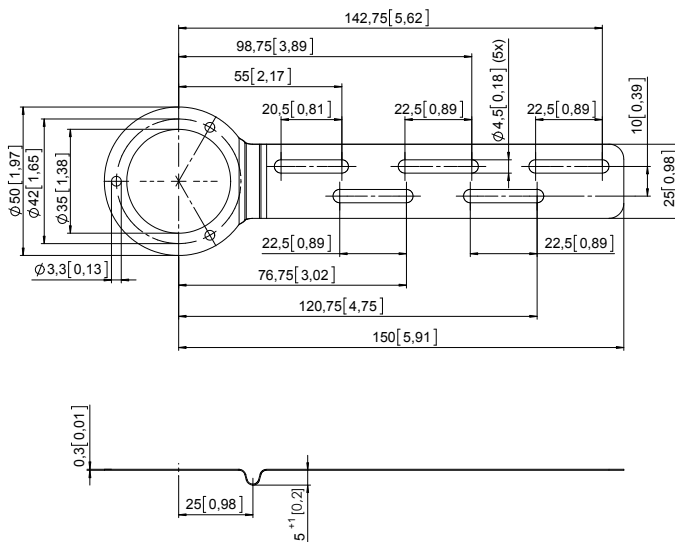
- 4 screws (not supplied)

Max. permissible shaft connection tolerances:

- Axial offset $< \pm 0.25$ mm
- Radial offset $< \pm 0.20$ mm
- Angular offset $< 1^\circ$

8.0010.4048.00FS

Torque stop, flexible



Scope of delivery:

- Fastening arm (stainless steel)
- 3 screws M3x6 mm [M3 x 0.24"] for fixing to the encoder

Connection to application:


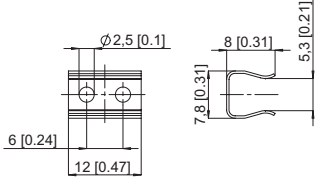

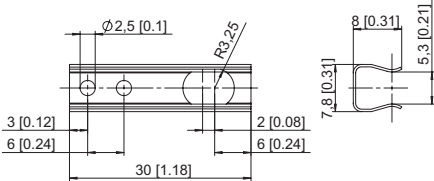

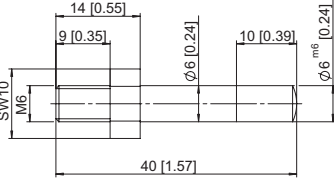

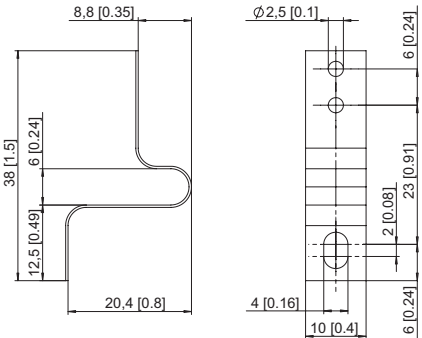

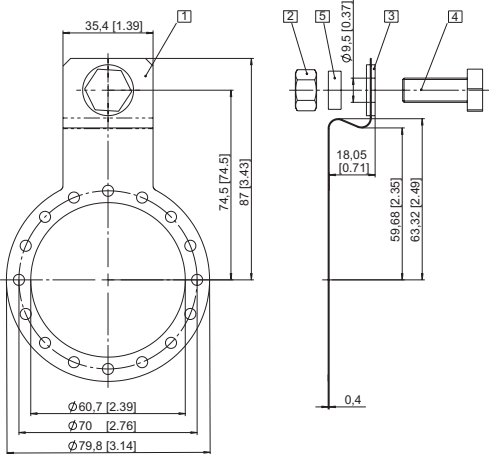
- 1 screw (not supplied)

Max. permissible shaft connection tolerances:

- Axial offset $< \pm 0.25$ mm
- Radial offset $< \pm 0.20$ mm
- Angular offset $< 1^\circ$

8.0010.4047.00FS

Accessories

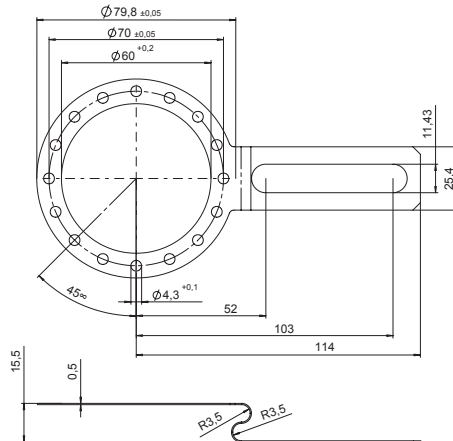
Fixing components for hollow shaft encoders		For encoders > ø 58 mm	Details
Dimensions / Details	Dimensions in mm [inch]		Order no.
Spring element, short 		<i>Scope of delivery:</i> - Spring element (stainless steel) - 2 screws for fixing to the encoder <i>Connection to application:</i> - Cylindrical pin (8.0010.4700.0003) (not supplied)	8.0010.4J00.0000
Spring element, long 		<i>Scope of delivery:</i> - Spring element (stainless steel) - 2 screws for fixing to the encoder <i>Connection to application:</i> - Cylindrical pin (8.0010.4700.0003) (not supplied)	8.0010.4K00.0000
Cylindrical pin, long with fastening thread 		suitable for spring element short (8.0010.4J00.0000) and long (8.0010.4K00.0000)	8.0010.4700.0003
Tether square 		<i>Scope of delivery:</i> - Tether square (stainless steel) - 2 screws for fixing to the encoder <i>Connection to application:</i> - 1 screw (not supplied)	8.0010.4G00.0000
Torque stop, short 		<i>Scope of delivery:</i> 1 Fastening arm (stainless steel) - 3 screws for fixing to the encoder <i>Connection to application:</i> 2 Hexagonal nut 3/8 - 16 UNC 3 Washer (isolating) 4 Hexagonal screw 3/8 16 UNC x 1" (supplied) 5 Washer D10.4 x 15 x 15 (supplied)	8.0010.4T00.0000

Accessories

Fixing components for hollow shaft encoders For encoders > ø 58 mm Details

Dimensions / Details Dimensions in mm [inch] Order no.

Torque stop, short



Scope of delivery:

- Fastening arm (stainless-steel)
- 3 screws for fixing to the encoder

Connection to application:

- 1 screw (not supplied)

8.0010.4E00.0000

Tether arm, long



Tether arm	L1	L2	
70 mm [2.76]	64 ... 74 [2.51 ... 2.91]	82 ... 92 [3.23 ... 3.62]	8.0010.40S0.0000
100 mm [3.93]	94 ... 104 [3.70 ... 4.09]	112 ... 122 [4.41 ... 4.80]	8.0010.40T0.0000
150 mm [5.91]	144 ... 154 [5.67 ... 6.06]	162 ... 172 [6.38 ... 6.77]	8.0010.40U0.0000

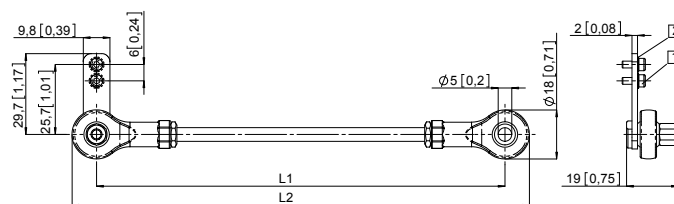
Scope of delivery:

- Tether arm
- For fixing to the encoder:

- 1 2 cap screws
M2.5 x 6 [0.24]
- 2 2 lock washers

Connection to application:

- 1 screw (not supplied)



Accessories

Fixing components for hollow shaft encoders For encoders > ø 58 mm Overview

Dimensions / Details Dimensions in mm [inch] Order no.

Tether arm, long



Tether arm	L1	L2	Order no.
70 mm [2.76]	64 ... 74 [2.51 ... 2.91]	82 ... 92 [3.23 ... 3.62]	8.0010.40S1.0000
100 mm [3.93]	94 ... 104 [3.70 ... 4.09]	112 ... 122 [4.41 ... 4.80]	8.0010.40T1.0000
150 mm [5.91]	144 ... 154 [5.67 ... 6.06]	162 ... 172 [6.38 ... 6.77]	8.0010.40U1.0000

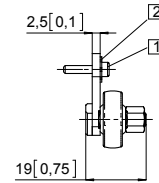
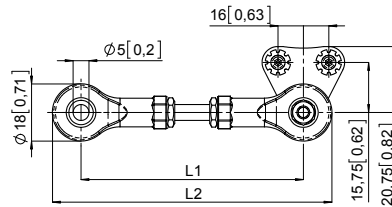
Scope of delivery:

- Tether arm
- For fixing to the encoder:

- 1 2 cap screws
M2,5 x 12 [0.47]
- 2 2 lock washers

Connection to application:

- 1 screw (not supplied)



Stator coupling



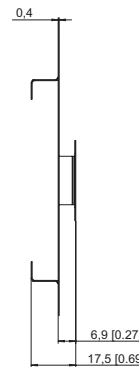
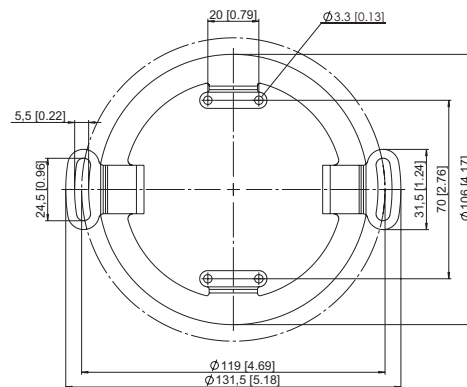
Scope of delivery:

- Stator coupling (stainless steel)
- 4 screws for fixing to the encoder




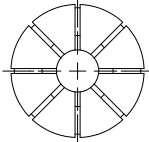
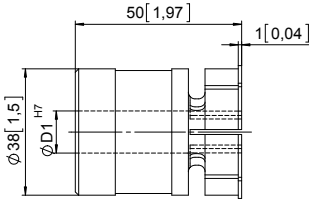
Connection to application:

- 2 screws (not supplied)

8.0010.40V0.0000



Accessories

Fixing components for hollow shaft encoders		For encoders > ø 58 mm	Overview
Dimensions / Details	Dimensions in mm [inch]		Order no.
Protective cover 		For applications with a very high degree of pollution, Kübler now offers a protective cover for <ul style="list-style-type: none"> Improved reliability Extension of the service life of the encoder Scope of delivery: <ul style="list-style-type: none"> Protective cover Fastening arm (8.0010.4T00.0000) 3 screws for fixing to the encoder 	8.0010.40Y0.0001
Tapered shaft mounting kit for A02H with hollow shaft, ø 38 mm [1.50"] 		For use in upgrading for tapered shaft mounting. Tapered shafts are used for high-precision direct coupling. An isolation insert is also included in the mounting kit; this reliably protects the encoder from shaft currents. Included in the set: <ul style="list-style-type: none"> Insert for cone blind hole, cone 1:10, 17 mm [0.67"] length Isolation insert Allen screw for central fixing 	8.0010.4028.0000
Isolation insert for hollow shaft, ø 38 mm [1.50"] Temperature range -40°C ... +115°C [-40°F ... +239°F]   		ø D1: 12 mm [0.47"] 14 mm [0.55"] 15 mm [0.59"] 16 mm [0.63"] 18 mm [0.71"] 20 mm [0.79"] 25 mm [0.98"] 30 mm [1.18"] 32 mm [1.26"] 1/2" 5/8" 3/4" 1" 1 1/4"	8.0010.4091.0000 8.0010.4027.0000 8.0010.4038.0000 8.0010.4019.0000 8.0010.4080.0000 8.0010.4011.0000 8.0010.4012.0000 8.0010.4016.0000 8.0010.4015.0000 8.0010.4013.0000 8.0010.4070.0000 8.0010.4090.0000 8.0010.4050.0000 8.0010.4060.0000
Isolation insert for hollow shaft, ø 42 mm [1.65"]		external diameter 42 mm [1.65"] / internal diameter 38 mm [1.50"] external diameter 42 mm [1.65"] / internal diameter 12 mm [0.47"]	8.0010.4017.0000 8.0010.4029.0000