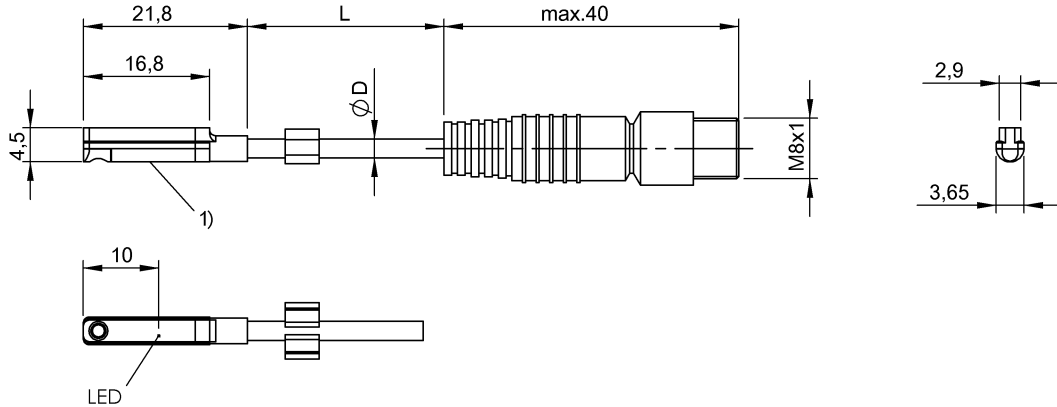


BMF 204K-PS-C-2A-SA2-S49-00,3
Ordering code: BMF0002

Sensors for cylinders
BMF 204K
 Cylinder housing: C-slot

PNP, Normally open (NO)
Miniature

BALLUFF
sensors worldwide



1) Active surface

Characteristic data

Connection type	Cable with connector
Operating voltage	10...30 V DC
Trademark	GLOBAL
Short-circuit protected	yes
Protected against polarity reversal	yes
Protected against miswiring	yes
Area of application	Optimized response path especially suited for short-stroke cylinders.

Electrical data

Electrical version	DC, direct current
Rated operating voltage U _e DC	24 V
Effective operating current I _e	100 mA
Rated insulation voltage U _i	75 DC
Rated short circuit current	100 A
Output resistance R _a	Open drain
Load capacitance max. (at U _e)	1 µF
No-load current I _o damped max.	8 mA
Max. no-load cur. I _o undamped	5 mA
Off-state current I _r max.	80 µA
Ripple max. (% of U _e)	15
Switching freq. f max.	7000 Hz
Voltage drop static max.	2,5 V
Turn-off delay toff max.	0,07 ms
Turn-on delay ton max.	0,07 ms
Rated switching field strength	1,2 kA/m

Assured switching field streng

2 kA/m

Mechanical data

Housing material	PA 12
Cable jacket material	PUR
Cable short designation	Li12Y11Y-O
Cable length	0,3 m
Cable diameter D max.	2,5
Connector type	M08x1-S49
Ambient temperature	-25...85 °C
Temperature drift max. % of Hn	0,3 %
Tightening torque	0.03 Nm

Basic data

Principle of operation	Magnetic
Enclosure Type per IEC 60529	IP67
Degree of contamination	3
Basic standard	IEC 60947-5-2
Utilisation category	DC 13

Remarks

Scope of delivery Cable clip for C-slot
 The sensor is functional again after the overload has been eliminated.
 EMC: Surge immunity; external protection circuit required. Document 825345, Section 2.
 Max. pull force on cable 10 N.



BMF 204K-PS-C-2A-SA2-S49-00,3
Ordering code: BMF0002

Sensors for cylinders
BMF 204K
Cylinder housing: C-slot

PNP, Normally open (NO)
Miniature

BALLUFF
sensors worldwide

