

Midi Horns and Sirens / Electronic Multi-Tone Sounders 126

Multi-t.sounder WM 4 tne 12-24VDC GY

Part No.: 126.052.15

**MECHANICAL DATA**

Height	80 mm
Diameter	70 mm
Materials	PC/ABS
Housing colour	Grey
Protection category	IP33
Connection	Screw terminals
cross-sectional area maximum	1,50mm ² / 16AWG
Cable entry	Through hole
Cable entry maximum	d = 9 mm
Type of fixing	Wall mounting
Working temperature minimum	-20°C
Working temperature maximum	+50°C
Weight with packaging	131 g
Product weight	105 g

ELECTRICAL DATA

Operating voltage	12-24V
Operating voltage type	DC
Operating voltage tolerance	+/- 10%
Rated operational voltage	24 VDC
Rated operational current	80 mA
Rated inrush current	<500mA
Protection class	Protection class 3
Pollution degree	2
Request to external PSU	SELV/PELV

ACUSTICAL DATA

Volume (max) at 1m distance	105,0 dB (A)
Number of tones	4 tone
Acoustic service life	1,000 h minimum

APPROVAL DATA

Conforms with CE	Yes
WEEE	Yes
Conforms with ATEX-directive	No
Conforms with CCC	No
Conforms with UL	No
Conforms with FCC	No
Conforms with IC	No



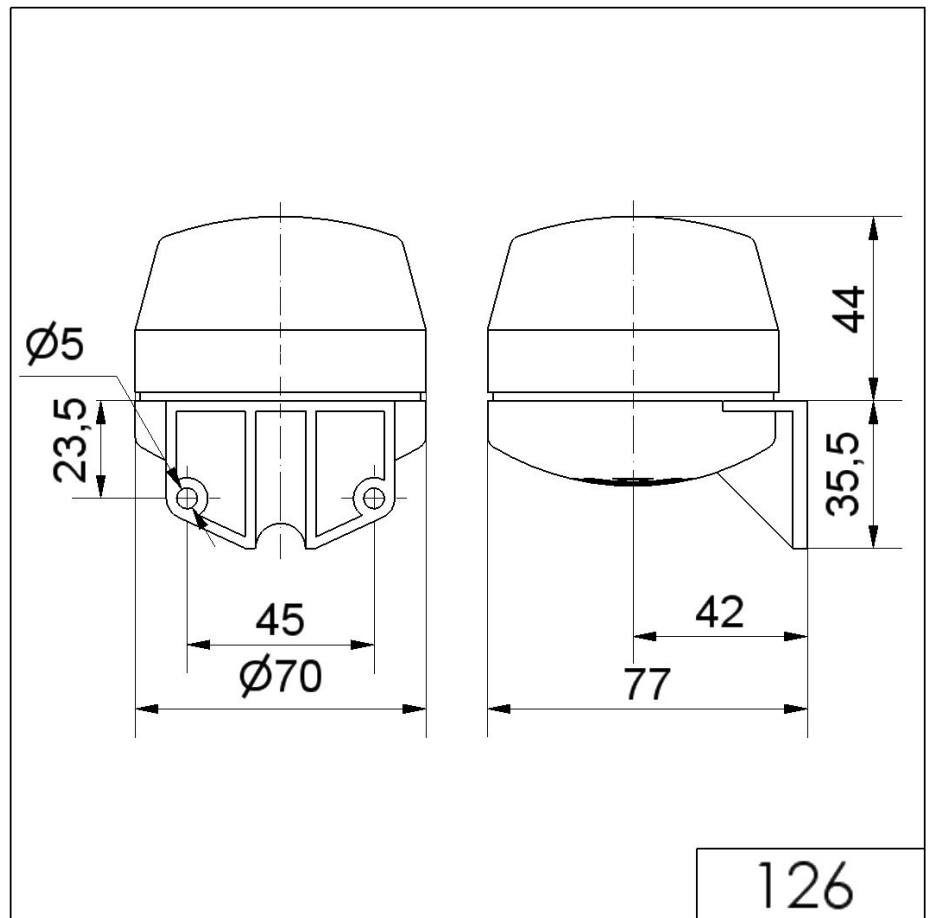
For additional installation and mounting information, refer to the appropriate user guide at www.werma.com. This printed copy is for information only and is subject to alteration.

Midi Horns and Sirens / Electronic Multi-Tone Sounders 126

Multi-t.sounder WM 4 tne 12-24VDC GY

EAC certificate available	Yes
Conforms with UKCA (Importer)	Yes (WERMA (UK) Ltd.)
Conforms with AS-I	No
ICAO Certification	No
Conforms with DNV	No
Conforms with RoHS CN	No
Conforms with VdS	No

DRAWING



! For additional installation and mounting information, refer to the appropriate user guide at www.werma.com. This printed copy is for information only and is subject to alteration.