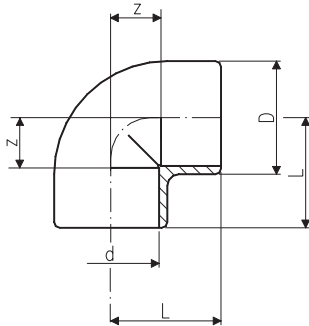


GEORG FISCHER +GF+ Piping Systems

21 10 01



Datasheet Industry, PVC-U ISO/DIN, Fittings, Pipe Fittings for solvent cement jointing, Elbows 90°, PVC-U ISO/DIN



d	PN	Code	SP	GP	kg	z	D	L	
6	16	721 100 101	10	700	0,004	4	11	16	
8	16	721 100 102	10	550	0,004	5	13	17	
10	16	721 100 103	10	500	0,004	6	14	18	
12	16	721 100 104	10	100	0,010	7	17	19	
16	16	721 100 105	10	100	0,010	9	21	23	
20	16	721 100 106	10	100	0,013	11	25	27	
25	16	721 100 107	10	100	0,021	14	30,5	33	
32	16	721 100 108	10	100	0,036	17	38,2	39	
40	16	721 100 109	10	50	0,061	23	47,2	49	
50	16	721 100 110	10	50	0,108	26	58,5	57	
63	16	721 100 111	-	10	0,206	33	73,4	71	
75	16	721 100 112	-	5	0,332	39,5	87,2	83	
90	16	721 100 113	-	5	0,568	46	105	97	
110	16	721 100 114	-	4	1,215	55	127,5	116	
125	16	721 100 115	-	1	1,460	62,5	146,2	131	
140	16	721 100 116	-	4	2,340	70	162	146	
160	16	721 100 117	-	1	3,475	80	185	166	
200	10	721 100 119	-	1	4,700	101	225,2	207	
225	10	721 100 120	-	1	6,950	114	252,3	233	
250	10	721 100 121	-	1	9,500	131	282	263	

PF 2 30 152

Materials: PVC-U, PVC-U

ISO 9001 certified quality management system

The technical data given are for first-hand information purposes only. They are non-binding and subject to change. Our general sales conditions apply.

© Georg Fischer Rohrleitungssysteme AG, CH-8201 Schaffhausen/Schweiz

03-30-1999

RLS SH 0499