

# Q4X Series



## Versatile, Rugged Laser Distance Sensor

**Superior Performance:** Reliably detects sub-millimeter distance changes.

*Versatile*

Reliable **measurement up to 300 mm** across a variety of target colors, materials and surfaces with multiple sensing modes in one device.

*Durable*

Robust housing rated to IP69K with **FDA-grade stainless steel** resists mechanical impact, over tightening and extreme vibration.

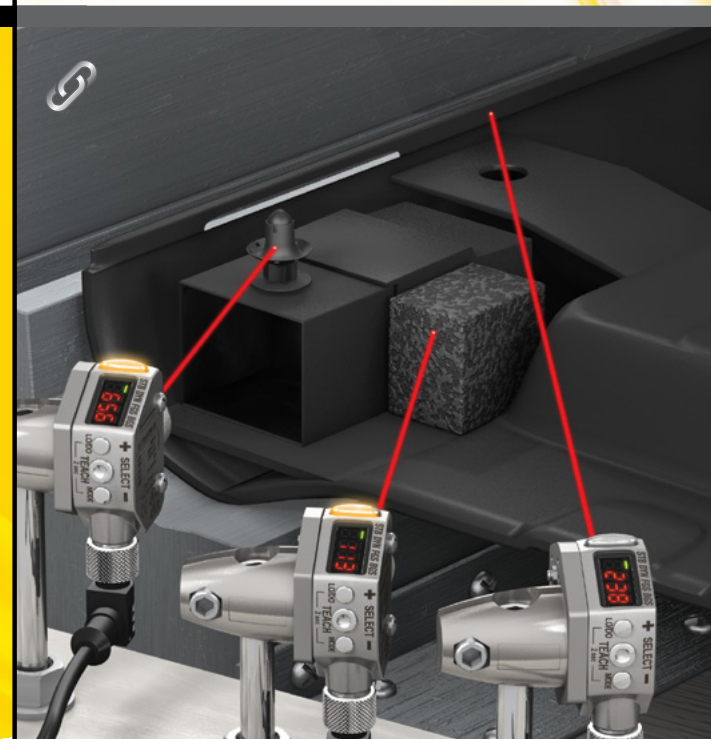
*Easy-to-Use*

Simplified user experience with a **distance (mm) or analog (V or mA) readout** from the angled four-digit display and easy setup with responsive buttons.



discrete analog

**BANNER**<sup>®</sup>  
more sensors, more solutions

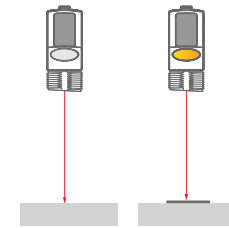


# Easy-to-Use. Problem Solver.

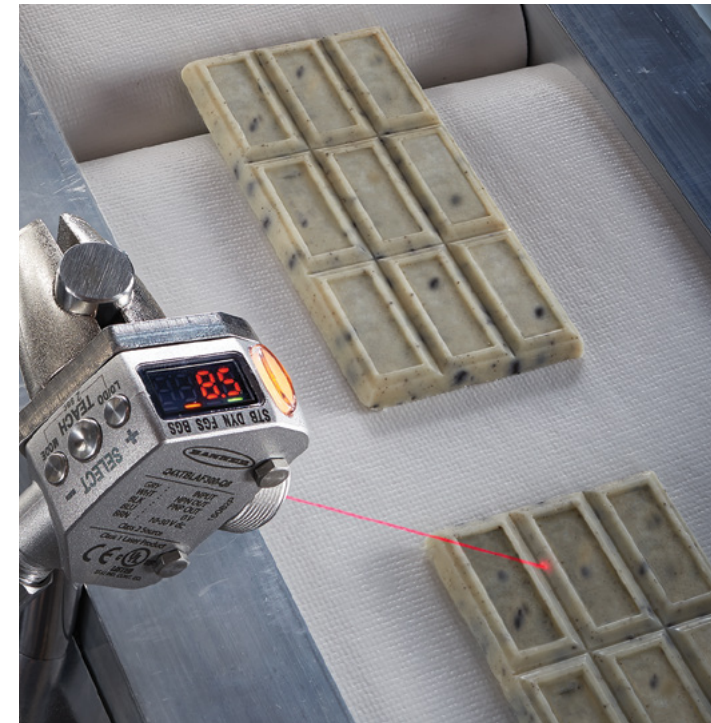
Reliable, durable sensor that solves even the most challenging applications



## Presence/Absence



Distance-based presence/absence detection or part positioning regardless of color or reflectivity of object and background

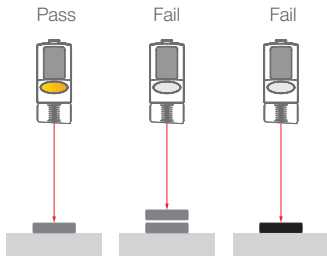


The Q4X detects the small change in height on multicolor candy bars. The display, with decimal point, can show distance from the sensor or relative to the conveyor.

Sensing Range	Performance		Spot Size
	Discrete Minimum Object Detection	Analog Minimum Resolution	
<b>Q4XT...100-Q8</b> 	0.5 mm (from 25-45 mm)	0.15 mm (from 25-100 mm)	0.7 x 1.8 mm (at 100 mm)
<b>Q4XT...300-Q8</b> 	1.0 mm (from 25-50 mm)	0.3 mm (from 25-100 mm)	0.8 x 2.0 mm (at 300 mm)



### Error-Proofing

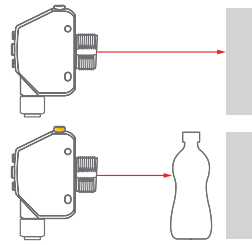


Distance	✓	✗	✓
Color	✓	✓	✗

Inspections use distance to verify parts presence and position, and intensity to verify correct color or part orientation



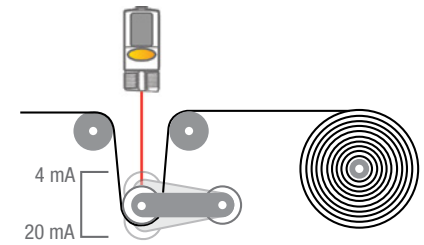
### Clear Object Detection



Reliably detects transparent objects without the need of a retro reflector



### Measurement



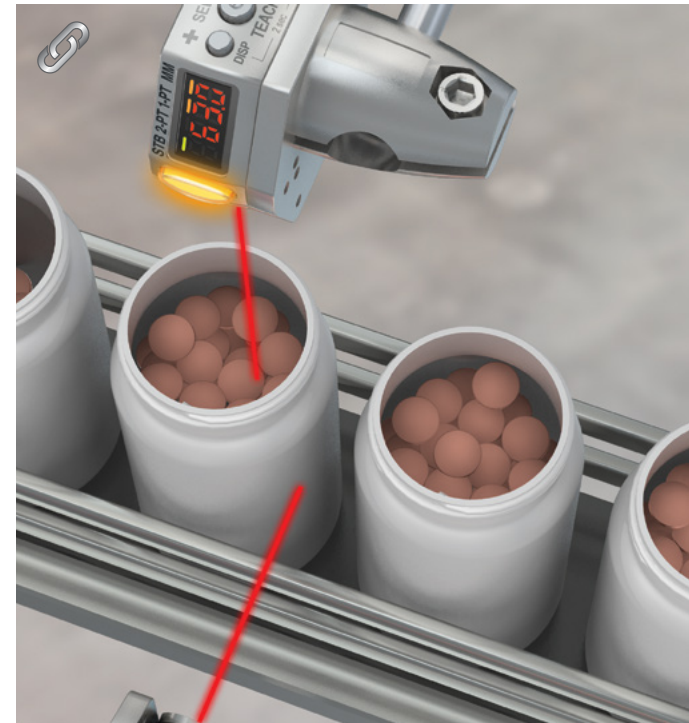
Analog output for continuous measurement of part size or position



The Q4X verifies presence of a single spacer while also monitoring intensity to verify adhesive side is down. Master/slave mode provides cross talk avoidance when using multiple sensors in close proximity.



The Q4X detects the presence of a clear bottle with an irregular surface. Built in delay timers make it easy to regulate product flow on production lines and increase efficiency.



The Q4X analog sensor uses its averaging trigger mode to provide a more consistent fill level measurement across inconsistent surfaces, such as pills inside a bottle.



## Q4X Laser Distance Sensor



Family	Housing Style	Output	Mode	Range	Connector
<b>Q4X</b>	<b>T</b>	<b>B</b>	<b>LAF</b>	<b>300</b>	<b>Q8</b>
	T = 18 mm Threaded Barrel	B = Bipolar NPN & PNP U = 0 to 10 V I = 4 to 20 mA	LAF = Laser Adjustable-Field	300 = 25-300 mm 100 = 25-100 mm	Q8 = 5-pin Integral QD <i>QD models require mating cordset</i>

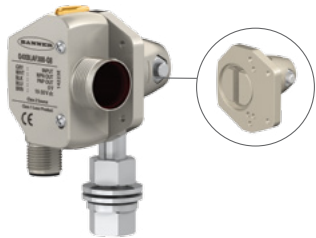
<b>Sensing Beam</b>	Visible red Class 1 laser, 655 nm	<b>Operating Condition</b>	Discrete: -10 to +55 °C Analog: -10 to +50 °C
<b>Supply Voltage</b>	Discrete: 10 to 30 V dc Analog: 12 to 30 V dc	<b>Environmental Rating</b>	IP67, IP68, IP69K
<b>Response Speed</b>	User selectable as fast as Discrete: 1.5 ms Analog: 0.5 ms	<b>Construction</b>	Housing: 316L stainless steel Lens cover: PMMA acrylic Indicator & Display Window: Polysulfone
<b>Vibration</b>	MIL-STD-202G, Method 201A (10 to 60 Hz, 0.06 in (1.52 mm) double amplitude, 2 hours each along X, Y and Z axes), with sensor operating	<b>Certifications</b>	  patent pending
<b>Shock</b>	MIL-STD-202G, Method 213B, Condition I (100G 6x along X, Y and Z axes, 18 total shocks), with sensor operating		

Order Now



*ECOLAB is a registered trademark of Ecolab USA Inc. All rights reserved.*

## Accessories



- SMBQ4XFA** includes 3/8" bolt for mounting
- SMBQ4XFAM10** includes 10 mm bolt for mounting
- SMBQ4XFAM12** clamps directly onto industry standard bracket systems of 1/2" or 12 mm rods



- SMB18A** 12-ga. stainless steel
- SMBAMS18P** 12-ga. cold-rolled steel
- SMBAMS18RA** 12-ga. cold-rolled steel

### Cordsets for Analog Models (0 to 10 V, 4 to 20 mA)

**5-Pin M12/ Euro-Style Cordsets with shield**  
Straight connector models listed; for right-angle, add RA to the end of the model number (example, MQDEC2-506RA)



- MQDEC2-506** 2 m (6.5')
- MQDEC2-515** 5 m (15')
- MQDEC2-530** 9 m (30')

**5-Pin M12/ Euro-Style Washdown Cordsets (IP68) with shield**  
Straight connector models only



- MQDCWD-506** 2 m (6.5')
- MQDCWD-530** 9 m (30')

### Cordsets for Discrete Models (Bipolar NPN & PNP)

**5-Pin M12/ Euro-Style Cordsets**  
Straight connector models listed; for right-angle, add RA to the end of the model number (example, MQDC1-506RA)



- MQDC1-506** 2 m (6.5')
- MQDC1-515** 5 m (15')
- MQDC1-530** 9 m (30')

**5-Pin M12/ Euro-Style Washdown Cordset (IP69K)**  
Straight connector models only



- MQDC-WDSS-0506** 2 m (6.5')
- MQDC-WDSS-0515** 5 m (15')
- MQDC-WDSS-0530** 9 m (30')



Q4X Laser  
Distance Sensor

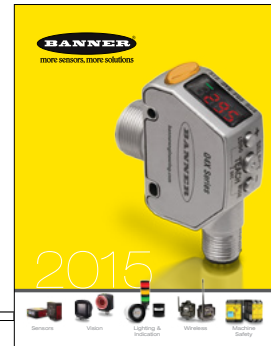
Link to  
data sheets

**WORLD-BEAM® Q12 Series Sensors**

Mature self-contained photoelectric sensors in universal housing

- Bright, visible red (640 nm) light source
- Standard models available with 4, 6, 8, 12 or 15 m (15, 18, 21 or 24 ft) cables or 3 or 4 wire
- 100 mm (4 in) cable with Fluoropak M8 threaded connector
- Solid state, bipolar outputs: one current sourcing (PNP) and one current sinking (NPN) available on 4-wire models
- Single output with state PNP or NPN standard on 3-wire models
- Light Output: 0.25 or 0.5mW (Class II), depending on model
- Housings available with PFA chemical-resistant jacket (200 psi maximum rated) for use in harsh environments (see Chemical-Resistant Models on page 1)
- Compact 5 mm (0.2 in) housing mounts almost anywhere
- Configurable resolution ready for applications with multiple sensors
- LED status indicators for Power On, Output Overload, Signal Received, and Marginal Signal
- Housings with black housing are available

**WARNING: Not To Be Used for Personnel Protection**  
Never use this device as a sensing device for personnel protection. Doing so could lead to injury or death. This device does not include the self-checking resolution circuitry necessary for use in personnel safety applications. A sensor failure or malfunction can cause either an unwanted energized sensor output condition.



Link to  
catalog

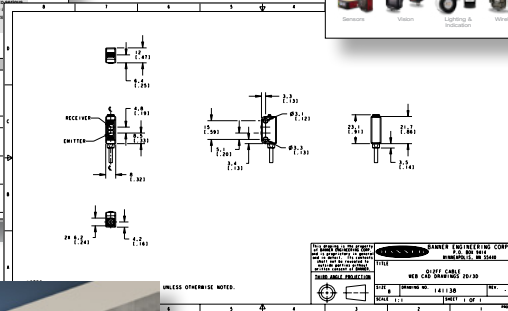
Link to the  
Banner website



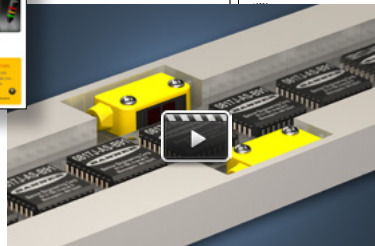
**Chemical-Resistant Models**

Sensing Mode	Model	Range
4-Wire Visible Red	Q12BCCR	1.5 m (4.9 ft)
	Q12ABCCR	
	Q12BBCCR	
3-Wire Visible Red	Q12ABFF3CCR	13 mm (0.5 in) cable
	Q12BBFF3CCR	8 mm (0.3 in) cable
4-Wire Visible Red	Q12ABCCR	None
	Q12BBFF3CCR	20 mm (0.8 in) cable
	Q12BBFF3CCR	14 mm (0.6 in) cable
	Q12ABFF3CCR	40 mm (1.6 in) cable
	Q12BBFF3CCR	14 mm (0.6 in) cable

Performance based on use of 90% reflectance white test card.



Link to  
CAD files



Link to videos



Talk with an app engineer. Get product specs. Order now.

1-888-373-6767 • bannerengineering.com

minneapolis, mn

