

Product designation	Fuse holder
Product type designation	FB
Number of DIN modules	6
Operating voltage type	AC

Electrical features

Rated current (In)	A	100
Rated operational voltage	V	690
IEC Utilization category		AC21B 690V
Total power dissipation	W	9.5

Derating factor of rated current In for different ambient temperature	20°C	1
	30°C	0.95
	40°C	0.9
	50°C	0.8
	60°C	0.7
	70°C	0.5

Derating factor of rated current In for side by side fuse holders (poles)	1-4	1
	5-6	0.8
	7-9	0.7
	≥10	0.6

Ambient conditions

Operating temperature	min	°C	-40
	max	°C	70

Storage temperature	min	°C	-40
	max	°C	80

Max altitude	m	3000
--------------	---	------

Mechanical features

Operating position	normal allowable	Vertical plan
		Any

Mounting	35mm DIN rail
----------	---------------

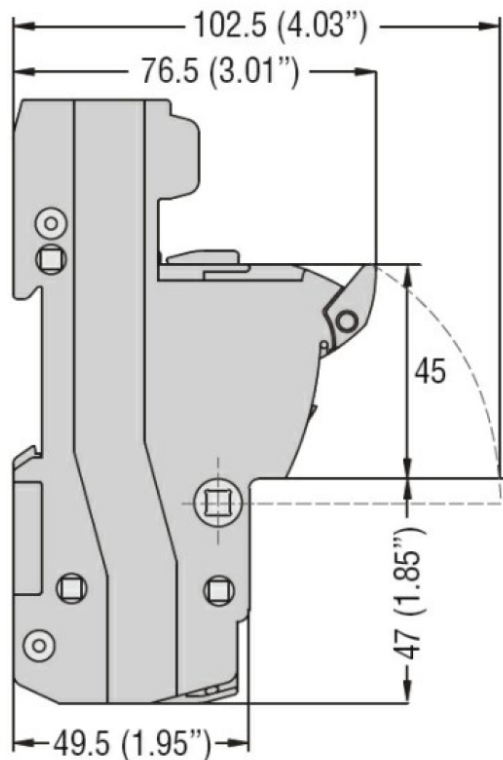
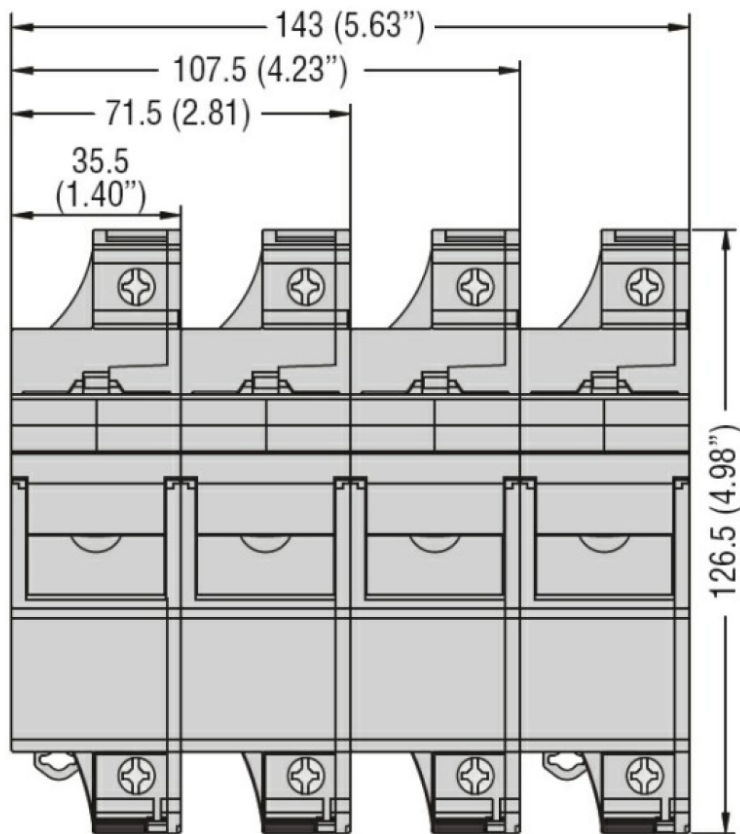
Tightening torque for terminals	max	Nm	4
	max	lbft	1.8

Conductor section	- Flexible max (IEC)	mm ²	35
	- Flexible max (AWG)		2
	- Rigid max (IEC)	mm ²	50
	- Rigid max (AWG)		1

Weight	g	334
--------	---	-----

Frontal IP degree	IP20
-------------------	------

Dimensions



Certifications and compliance

Compliance

CSA C22.2 n°4248.1

IEC/EN 60269-1

IEC/EN 60269-2

IEC/EN 60947-1

IEC/EN 60947-3

UL 4248-1

Certifications

cURus

EAC