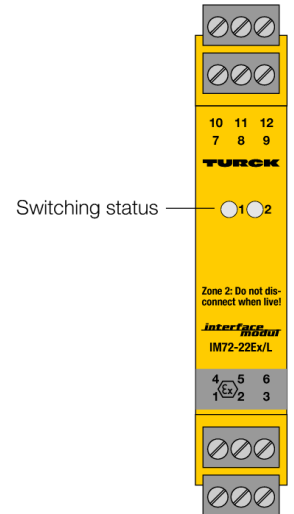
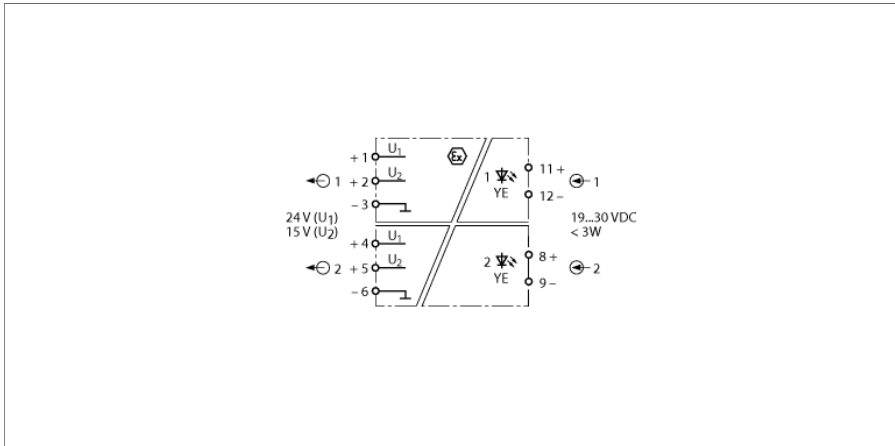


**Valve control module
2-channel
IM72-22EX/L**



The valve control module IM72-22EX/L provides intrinsically safe limited power at the output. Loads in the Ex area can thus be triggered directly.

Within the area of applicability of the European directive 94/9/EC (ATEX) it is permitted to operate connected loads in potentially explosive atmospheres caused by dust or gas, provided they comply with the applicable regulations.

Typical applications are the control of Ex i pilot valves as well as the supply of displays and transmitters. The output values of the two connections U1 and U2 per channel differ in terms of their no-load voltage and are adapted to the valves of different manufacturers (see output curve on next page).

The loads can be controlled when power is applied.

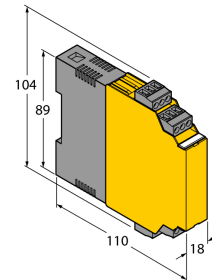
The switching status of the belonging output is indicated by a yellow LED.

- ATEX, IECEx, FM, UL, NEPSI, INMETRO, GOST
- Installation in zone 2
- Voltage input max. 30 VDC
- Voltage output 15 VDC resp. 24 VDC
- Output current ≤ 40 mA
- Switching frequency ≤ 500 Hz
- SIL3
- Removable terminal blocks
- Galvanic isolation of input and output circuits

**Valve control module
2-channel
IM72-22EX/L**

Type code	IM72-22EX/L
Ident no.	7520702
Flammability class acc. to UL 94	V-0
Nominal voltage	24 VDC loop-powered
Power consumption	≤ 2.2 W
0-signal	0...5 VDC
1-signal	19...30 VDC
Current	40 mA
Voltage input	max. 30 VDC
Current input	45 mA
Input delay	≤ 2 ms
Output circuits	intrinsically safe acc. to EN 60079
Output current	40 mA
Output voltage	U ₁ =24 V
Output voltage	U ₂ =15 V
Output curve	
Limit frequency	≤ 500 Hz
Galvanic isolation	
Test voltage	2.5 kV

Dimensions



**Valve control module
2-channel
IM72-22EX/L**

Ex approval acc. to conformity certificate

Application area TÜV 05 ATEX 2846 X
 Protection type II (1) GD
 [EEx ia] IIC
 terminal connection: 1+3 / 4+6
 Max. values:
 Max. output voltage U_o ≤ 27 V
 Max. output current I_o ≤ 96 mA
 Max. output power P_o ≤ 678 mW
 Characteristic Trapezoidal
 Rated voltage 250 V
 Internal inductance/capacitance L/C,
 External inductance/capacitance L_e/C_e, negligibly small

EEx ia	IIC		IIB	
Lo [mH]	0.68	0.5	13	2
Co [nF]	62	70	260	300

Max. values:
 terminal connection: 2+3 / 5+6
 Max. output voltage U_o ≤ 17.6 V
 Max. output current I_o ≤ 96 mA
 Max. output power P_o ≤ 678 mW
 Characteristic trapezoidal
 Internal inductance/capacitance L/C,
 External inductance/capacitance L_e/C_e, negligibly small

EEx ia	IIC		IIB	
Lo [mH]	1.2	0.5	13.0	2.0
Co [μF]	0.13	0.15	0.47	1.1

Ex approval acc. to conformity certificate

Application area TÜV 06 ATEX 553388 X
 Protection type II 3 G
 Ex nA [nL] IIC/IIB T4
 terminal connection: 1+3 / 4+6
 Max. values:
 Max. output voltage U_o ≤ 27 V
 Max. output current I_o ≤ 96 mA
 Max. output power P_o ≤ 678 mW
 Characteristic trapezoidal
 Internal inductance/capacitance L/C,
 External inductance/capacitance L_e/C_e, negligibly small

Ex nL	IIC		IIB	
Lo [mH]	0.68	0.5	13	2
Co [nF]	120	130	570	620

Max. values:
 terminal connection: 2+3 / 5+6
 Max. output voltage U_o ≤ 17.6 V
 Max. output current I_o ≤ 96 mA
 Max. output power P_o ≤ 678 mW
 Characteristic trapezoidal
 Internal inductance/capacitance L/C,
 External inductance/capacitance L_e/C_e, negligibly small

Ex nL	IIC		IIB	
Lo [mH]	1.2	0.5	13	2.0
Co [μF]	0.37	0.42	1	2.1

Approval

MTTF SIL 3 acc. to EXIDA FMEDA
 150 years acc. to SN 29500 (Ed. 99) 40 °C

Indication

Switching state yellow

Protection class

IP20
 Ambient temperature -25...+70 °C
 Storage temperature -40...+80 °C
 Dimensions 104 x 18 x 110 mm
 Weight 137 g
 Mounting instruction For mounting on DIN rail or mounting panel
 Housing material polycarbonate/ABS
 Electrical connection 4 x 3-pole removable terminal blocks, reverse polarity protected, screw connection
 Terminal cross-section 1 x 2.5 mm² / 2 x 1.5 mm²
 Tightening torque 0.5 Nm

Accessories

Type code	Ident no.	Description	Dimension drawing
IM-CC-3X2BU/2BK	6900475	Cage clamp terminals for IM modules (Ex devices; width 18 mm); 2 blue/2 black, 3-pin, included in delivery.	