

Lever Indicator and Magnet Stand

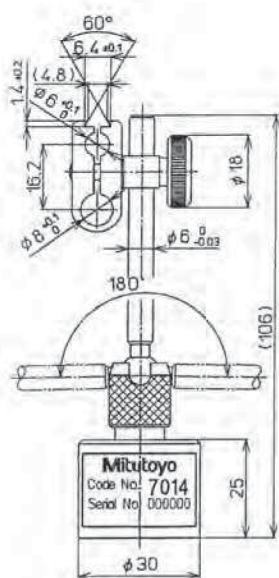
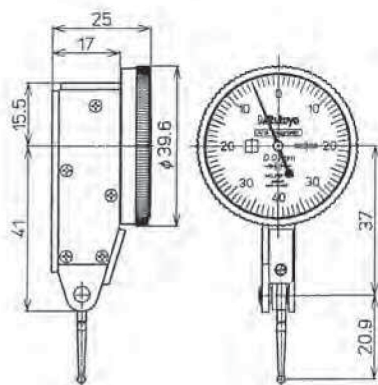
Series 513



513-908

Metric

No.	Contents include	Mass [g]
513-908	513-404E : Lever Indicator 7014 : Mini Magnetic Stand	222



513-908

Indicator

Centered, bi-directional action for automatic reversal of measuring direction.

Jewelled bearings and precision gears and pinions for smooth, accurate movement and quick response.

Stand

Magnetic force : 150 N.

Mass : 180 g.