

Ball valve type 127 PVC-U 100-230V
With manual emergency override
With solvent cement sockets Inch BS

Model:

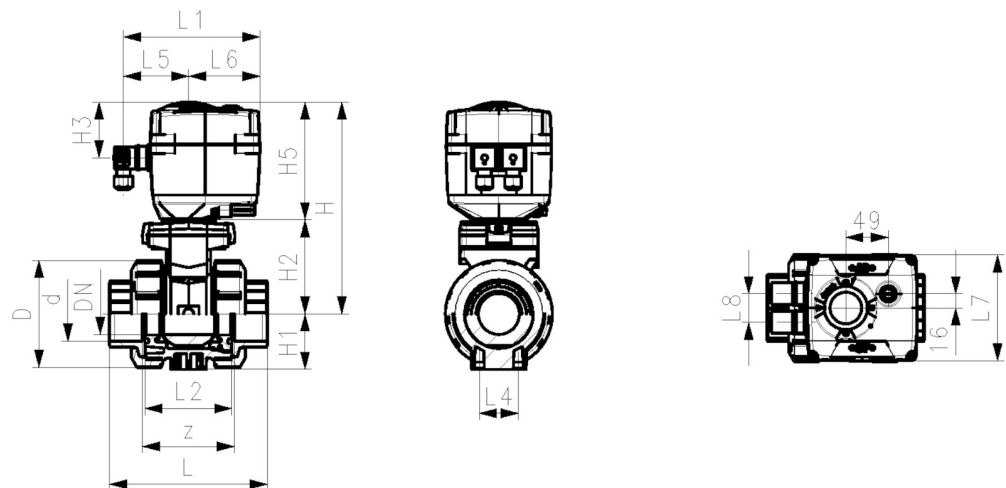
- Built on with electric actuator EA15
- Voltage 100-230V, 50-60Hz
- Factory set control range 90°<
- Heating element, position feedback (Open/Close)
- Integrated stainless steel mounting inserts

Option:

- Other valve and actuator configurations available
- Optional accessories: Fail-safe return unit

Size	DN	PN	kv-value	EPDM	Weight	FKM	Weight
(inch)	(mm)	(bar)	($\Delta p=1$ bar)	Code	(kg)	Code	(kg)
			(L/min)				
3/8	10	10	70	199 127 402	2.100	199 127 412	2.100
1/2	15	10	185	199 127 403	2.137	199 127 413	2.100
3/4	20	10	350	199 127 404	2.226	199 127 414	2.200
1	25	10	700	199 127 405	2.300	199 127 415	2.334
1 1/4	32	10	1000	199 127 406	2.600	199 127 416	2.600
1 1/2	40	10	1600	199 127 407	3.000	199 127 417	3.000
2	50	10	3100	199 127 408	3.597	199 127 418	3.800

Size	D	H	H1	H2	H3	H5	L	L1	L2	L4	L5	L6	L7	L8	z
(inch)	(mm)	(mm)	(mm)	(mm)	(mm)	(mm)	(mm)	(mm)	(mm)	(mm)	(mm)	(mm)	(mm)	(mm)	(mm)
3/8	50	200	27	64	64	137	92	161	56	25	79	1	122	33	60
1/2	50	200	27	64	64	137	95	161	56	25	79	83	122	33	60
3/4	58	209	30	73	64	137	110	161	65	25	79	83	122	33	69
1	68	209	36	73	64	137	123	161	71	25	79	83	122	33	75
1 1/4	84	220	44	84	64	137	146	161	85	45	79	83	122	33	89
1 1/2	97	220	51	84	64	137	157	161	89	45	79	83	122	33	97
2	124	243	64	106	64	137	183	161	101	45	79	83	122	33	110



The technical data are not binding. They neither constitute expressly warranted characteristics nor guaranteed properties nor a guaranteed durability. They are subject to modification. Our General Terms of Sale apply.

Data sheet

valid from: 6/30/17



Phone +41 -(0)52-631 1111

e-mail: info.ps@georgfischer.com

Internet: <http://www.gfps.com>