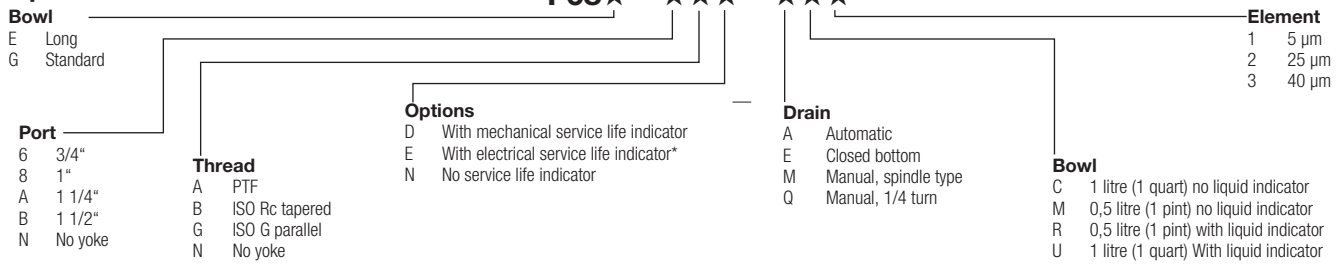


## Option selector



\* See Norgren publication IM-900.920 for specifications and electrical wire connections of the optional electric service indicator.

## TECHNICAL FEATURES

### TECHNICAL DATA

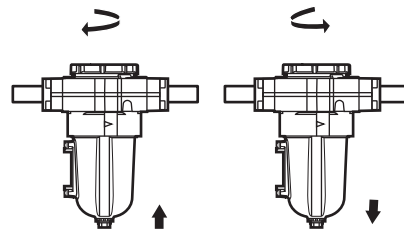
Fluid: Compressed air  
 Maximum pressure: 17 bar (250 psig)  
 Operating temperature\*:  
 -20° to +80°C (0° to +175°F)  
 \* Air supply must be dry enough to avoid ice formation at temperatures below +2°C (+35°F).  
 Particulate removal: 5, 25 or 40 µm  
 Air quality: Within ISO 8573-1, Class 3 and Class 5 (particulates)  
 Typical flow with a 40 µm element at 6,3 bar (90 psig) inlet pressure and a 0,5 bar (7 psig) pressure drop: 190 dm<sup>3</sup>/s (403 scfm)  
 1/4 turn manual drain connection: 1/8" pipe thread  
 Automatic drain connection: 1/8" pipe thread  
 Automatic drain operating conditions (float operated): Bowl pressure required to close drain: Greater than 0,3 bar (5 psig)  
 Bowl pressure required to open drain: Less than 0,2 bar (3 psig)  
 Minimum air flow required to close drain: 1 dm<sup>3</sup>/s (2 scfm)  
 Manual operation: Depress pin inside drain outlet to drain bowl  
 Nominal bowl size:  
 0,5 litre (1 pint U.S.)  
 1 litre (1 quart U.S.)  
 Materials:  
 Body: Aluminium  
 Yoke: Aluminium  
 Bowl: Aluminium  
 Liquid level indicator: Pyrex  
 Element: Sintered bronze or polypropylene  
 Elastomers: Synthetic rubber

### REPLACEMENT ITEMS

Service kit (items circled on exploded view) **4380-300**  
 0,5 litre bowl liquid level lens (19 thru 27) **4380-060**  
 1 litre bowl liquid level lens (30 thru 38) **4380-061**  
 Bronze element KITS:  
 Filter element, 0,5 litre bowl, 5 µm (54, 55, 56) **5576-197**  
 Filter element, 0,5 litre bowl, 25 µm (54, 55, 56) **5576-198**  
 Filter element, 0,5 litre bowl, 40 µm (54, 55, 56) **5576-199**  
 Plastic element KITS:  
 Filter element, 0,5 litre bowl, 5 µm (53,55) **5576-97**  
 Filter element, 0,5 litre bowl, 25 µm (53,55) **5576-98**  
 Filter element, 0,5 litre bowl, 40 µm (53,55) **5576-99**  
 Filter element, 1 litre bowl, 5 µm (55) **5311-01**  
 Filter element, 1 litre bowl, 25 µm (55) **5311-02**  
 Filter element, 1 litre bowl, 40 µm (55) **5311-03**  
 Automatic drain, G1/8 outlet (49) **3000-97**  
 Automatic drain, 1/8 PTF outlet (49) **3000-10**  
 Manual drain, spindle type (44) **684-84**  
 Manual drain, 1/4 turn (40) **619-50**  
 Mechanical service life indicator (1) **5797-50**  
 Electrical service life indicator (6) **4020-51R**

### INSTALLATION

1. Install yoke in air line - with air flow in direction of arrow on top of yoke, upstream of regulators, lubricators, and cycling valves, as close as possible to the air supply when filter is used as a main line filter, as close as possible to the device being serviced when filter is used as a final filter.
2. Connect piping to yoke ports using pipe thread sealant on male threads only.
3. Lubricate o-rings (15) with a light coat of o-ring grease, then place o-rings in grooves in body (14).
4. Place clamp ring under lugs on top of yoke.
5. Make sure arrows on yoke and filter point in same direction, then plug filter into yoke and tighten clamp ring hand tight.
6. Turn bowl into body until arrowhead on bowl is aligned with or to the right of the arrowhead on the body.
7. Flexible tube with 3mm (0.125") minimum I.D. can be connected to the automatic drain. Avoid restrictions in the



### SERVICING

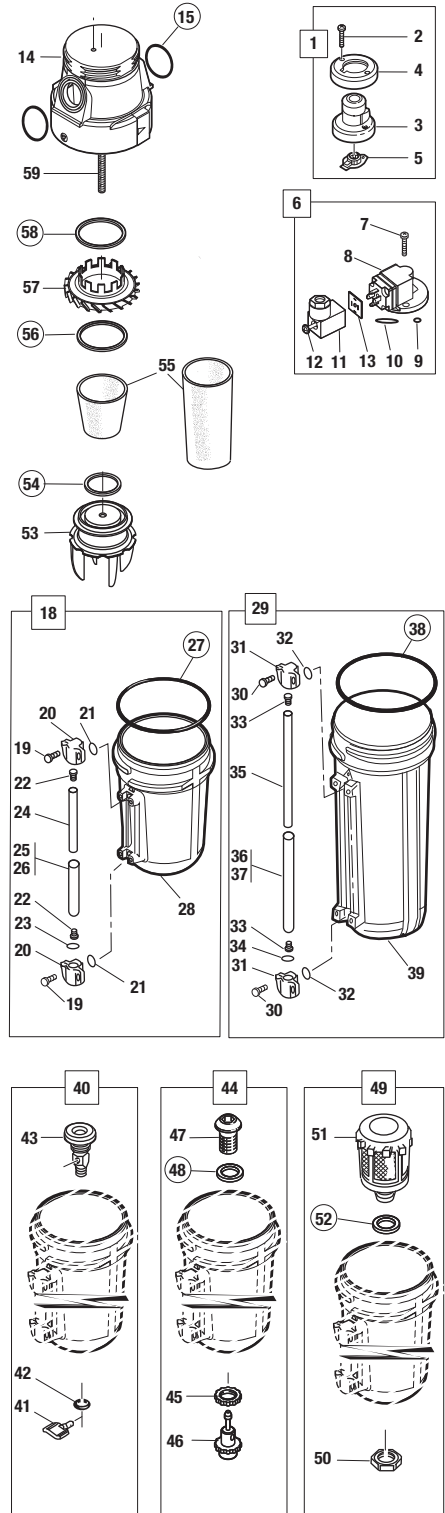
1. Open manual drain to expel accumulated liquids. Keep liquids below baffle (53).
2. Clean or replace filter element when dirty, when optional mechanical service life indicator shows approximately all red, or when optional electrical service life indicator provides an electrical output.

### DISASSEMBLY

1. Shut off inlet pressure. Reduce pressure in inlet and outlet lines to zero.
2. Unscrew the clamp ring and remove filter from yoke.
3. Disassemble in general accordance with the item numbers on exploded view. Do not remove the drains or the service indicators unless replacement is necessary. Remove and replace only if they malfunction. Do not attempt to remove rod (59), as it is cemented to body.

### CLEANING

1. Clean lens (3, 24, 35) with warm water only. Do not submerge electrical service indicator



(6) in water. Clean indicator (6) with dry, clean cloth. Clean other parts with warm water and soap.

2. Rinse and dry parts. Blow out internal passages in body (14) with clean, dry compressed air. Blow air through filter element (55) from inside to outside to remove surface contaminants.
3. Inspect parts. Replace those found to be damaged.

**ASSEMBLY**


1. Lubricate o-rings, the portion manual drain body (43) that contacts the bowl, and the hole in the manual drain body that accommodates the stem of drain valve (41) with o-ring grease.
  2. Assemble the unit as shown on the exploded view.
  3. Assemble the liquid indicator parts (19 thru 26, 30 thru 37) to reservoir. Apply a 0.9 to 1.8 kg (2 to 4 pound) clamping force to upper and lower sight glass brackets (20, 31). Tighten screws (19, 30).
  4. Arrows on indicator (3, 8) and body (14) must point in same direction.
  5. Torque Table
- | Item           | Torque in N-m (Inch-Pounds) |            |
|----------------|-----------------------------|------------|
| 2, 7 (Screw)   | 2,8 to 3,9                  | (25 to 34) |
| 19, 30 (Screw) | 1,8 to 2,3                  | (16 to 20) |
| 45, 50 (Nut)   | 0,8 to 1,2                  | (7 to 10)  |
| 53 (Baffle)    | 1,1 to 1,4                  | (10 to 12) |
6. Turn bowl into body until arrowhead on bowl is aligned with or to the right of the arrowhead on the body.

**WARNING**

These products are intended for use in industrial compressed air systems only. Do not use these products where pressures and temperatures can exceed those listed under Technical Data. Polycarbonate plastic bowls can be damaged and possibly burst if exposed to such substances as certain solvents, strong alkalis, compressor oils containing ester-based additives or synthetic oils. Fumes of these substances in contact with the polycarbonate bowl, externally or internally, can also result in damage. Clean with warm water only. Use metal bowl in applications where a plastic bowl might be exposed to substances that are incompatible with polycarbonate. Before using these products with fluids other than air, for non industrial applications, or for life-support systems consult Norgren.

**Use in potentially explosive atmospheres**

Code of device according EC directive 2014/34/EU

 II 2G Ex h IIC T6 Gb  
 II 2D Ex h IIIC T85°C Db

- Only non-flammable gaseose to be used as a medium.
- Surface temperature dependant on process fluid temperature and ambient temperature - must be below the ignition temperature of the flammable gas or dust.
- Earth unit and/or pipework to avoid electrostatic discharge.
- Precautions should be taken to prevent hazard from adiabatic compression.
- Use wet cloth for cleaning.
- Protect the unit from object falling onto it.
- Avoid contact with corrosive environment.
- For servicing the unit it is recommended to carry out this work outside of the danger zone.
- For details of ignition hazard assessment contact Norgren.

