

Datasheet - AZ 3350-12ZUEK

Safety switch with separate actuator / AZ 3350



- Metal enclosure
- Latching handle
- Long life
- 40,5 mm x 114 mm x 38 mm
- High level of contact reliability with low voltages and currents
- 1 Cable entry M 20 x 1.5

(Minor differences between the printed image and the original product may exist!)

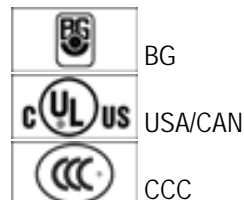
Ordering details

| | |
|--------------------------|----------------|
| Product type description | AZ 3350-12ZUEK |
| Article number | 1214053 |
| EAN code | 4030661397580 |

To order, first choose the desired safety switch and then the door handle system

Approval

Approval



Classification

| | |
|---|--|
| Standards | EN ISO 13849-1 |
| B _{10d} Normally-closed contact (NC) | 2.000.000 |
| B _{10d} Normally open contact (NO) | 1.000.000 |
| - notice | at 10% I _e and ohmic load |
| Mission time | 20 Years |
| notice | $MTTF_d = \frac{B_{10d}}{0,1 \times n_{op}}$ $n_{op} = \frac{d_{op} \times h_{op} \times 3600 \text{ s/h}}{t_{cycle}}$ |

Global Properties

| | |
|----------------------------|---|
| Product name | AZ 3350 |
| Standards | EN 60947-5-1, BG-GS-ET-15, EN 1088 |
| Materials | |
| - Material of the housings | Aluminium |
| - Material of the contacts | Silver |
| Housing coating | painted |
| Weight | 250 g |
| Recommended actuator | AZ 3350-B1, AZ 3350-B5, AZ 3350-B1R, AZ 3350-B5R, AZ 3350-B6, AZ 3350-B6H |

Mechanical data

| | |
|---------------------------------|---|
| Design of electrical connection | Screw connection |
| Cable section | |
| - Min. Cable section | 0,75 mm ² |
| - Max. Cable section | 2.5 mm ² |
| Mechanical life | 1.000.000 operations |
| higher Latching force (Y/N) | No |
| Shearing force | 15.000 N |
| Positive break force | 5 N for each NC contact fitted |
| positive break travel | 10.7 mm |
| Door hinge | left |
| notice | All indications about the cable section are including the conductor ferrules. |

Ambient conditions

| | |
|----------------------------------|----------------------|
| Ambient temperature | |
| - Min. environmental temperature | -30 °C |
| - Max. environmental temperature | +90 °C |
| Protection class | IP67 to IEC/EN 60529 |

Electrical data

| | |
|---|--|
| Design of control element | Normally open contact (NO), Opener (NC) |
| Switching principle | Slow action with overlapping contacts |
| Number of auxiliary contacts | 1 piece |
| Number of safety contacts | 2 piece |
| Rated impulse withstand voltage U_{imp} | 4 kV |
| Rated insulation voltage U_i | 250 V |
| Thermal test current I_{the} | 10 A |
| Utilisation category | AC-15: 230 V / 4 A, DC-13: 24 V / 4 A |
| Max. fuse rating | 6 A gG D-fuse |

ATEX

| | |
|---|------|
| Explosion protection categories for gases | None |
| Explosion protected category for dusts | None |

Dimensions

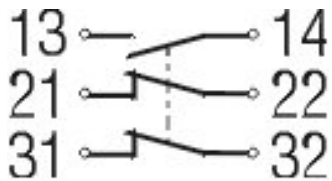
Dimensions of the sensor

| | |
|--------------------|---------|
| - Width of sensor | 40.5 mm |
| - Height of sensor | 114 mm |
| - Length of sensor | 38 mm |




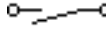
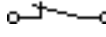
Included in delivery

Mounting plate for safety switch
 Actuator incl. mounting plate
 emergency handle

Diagram

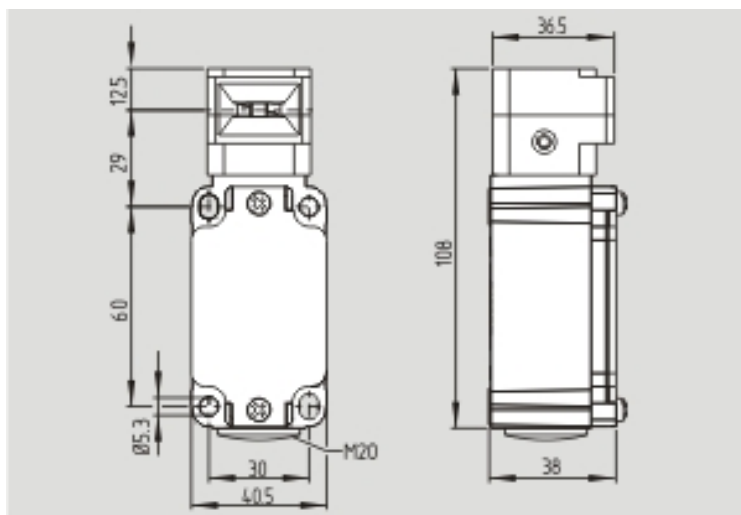


Note Diagram

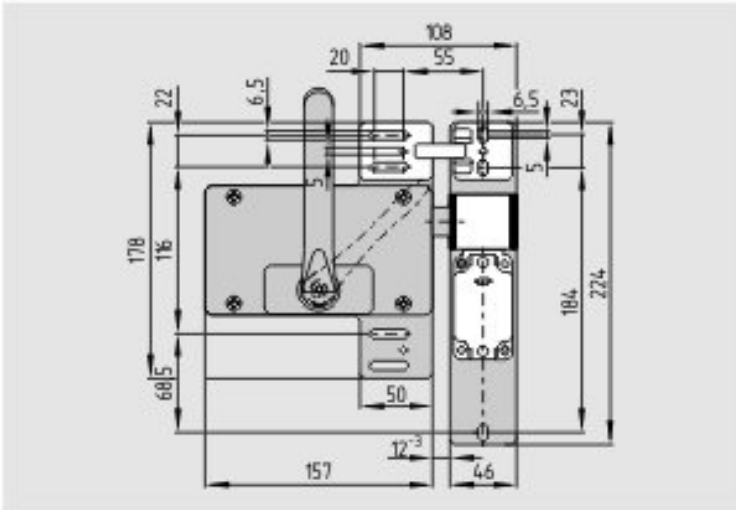
-  positive break NC contact
-  active
-  no active
-  Normally-open contact
-  Normally-closed contact



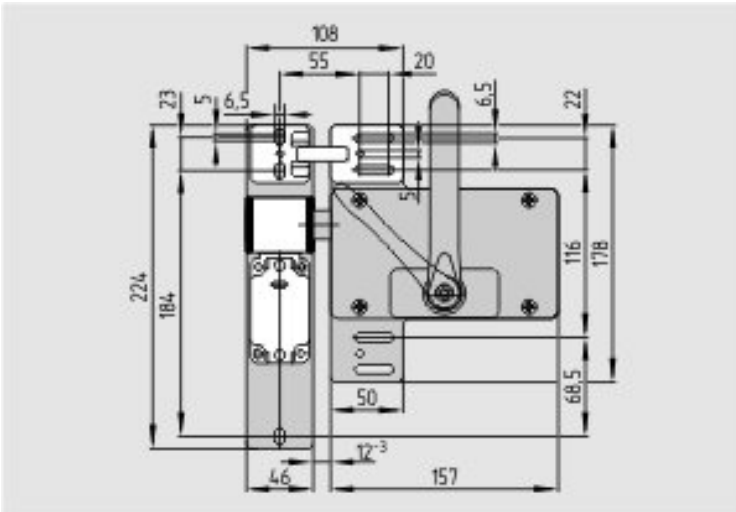
Product photo



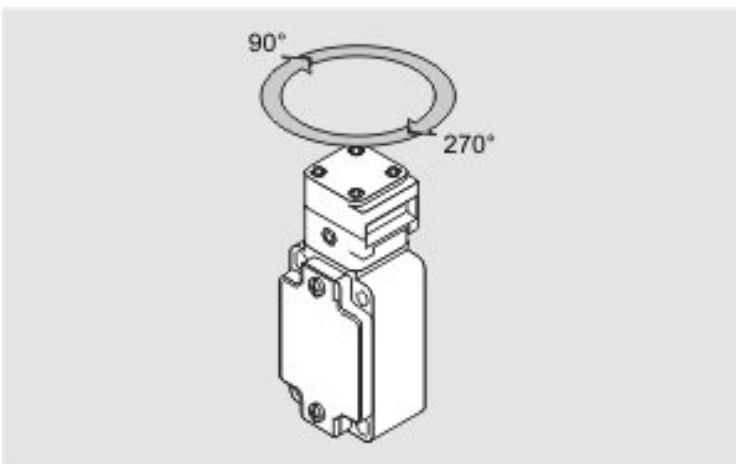
Dimensional drawing (basic component)



Dimensional drawing (miscellaneous)



Dimensional drawing (miscellaneous)



Application

K.A. Schmersal GmbH, Möddinghofe 30, D-42279 Wuppertal

The data and values have been checked thoroughly. Technical modifications and errors excepted.

Generiert am 26.09.2011 - 16:43:23h Kasbase 1.5.5 DBI