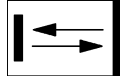


**BOS 12M-PS-RD11-S4**  
**Order code: BOS01TN**

Photoelectric sensor  
 Series 12M GLOBAL  
 Light scanner, energetic  
 Sn = 100 mm

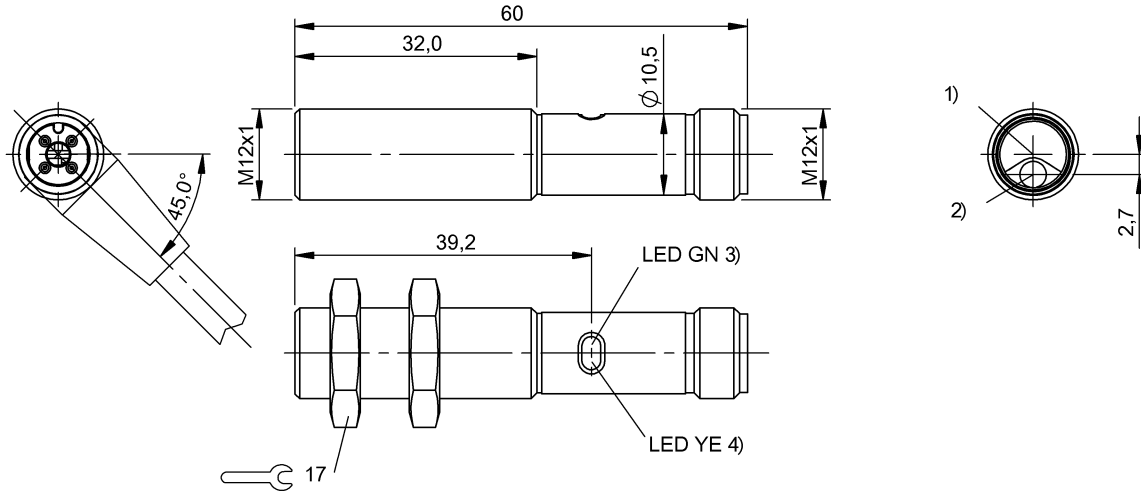
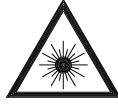


**BALLUFF**

sensors worldwide

DC, direct current  
 PNP (1x)  
 NO: light-on  
 1,000 Hz  
 LED, red light (Pin Point)

LED-Light - DO NOT STARE INTO BEAM! Exempt group  
 per IEC 62471:2006-07



1) Optical axis receiver 2) Optical axis emitter 3) Power 4) Light reception/Limit range

**Basic data**

Operating voltage UB DC 10.0 V... 30.0 V  
 Eff. operating voltage Ue DC 24.0 V  
 Ripple max. (% of Ue) 15 %  
 Polarity reversal protected yes  
 Rated insulation voltage Ui 75 V DC  
 Indicator Power - LED GN  
 Light receipt - LED YE  
 Limit range - LED YE, flash.  
 Adjuster No  
 Ambient temperature Ta -5 °C... 55 °C

**Optical data**

Principle of optical operation Light scanner, energetic  
 Erfassungsbereich Sd 1...100 mm  
 Light type LED, red light (Pin Point)  
 Wavelength 650 nm  
 LED group acc. IEC 62471 Exempt group  
 Light spot size, typical Ø8 mm at 100 mm  
 Beam characteristic Divergent  
 Ambient light max. 10,000 Lux

**Electrical data**

Eff. operating distance Sr 100 mm  
 Minimum operating distance 1 mm  
 Switching output PNP (1x)  
 Switching function NO (pin 4)  
 Eff. operating current Ie 100 mA  
 Switching freq. f max. (at Ue) 1,000 Hz

Turn on time ton max. 0.50 ms  
 Turn off time toff max. 0.50 ms  
 Voltage drop Ud max. (at Ie) 1.5 V  
 Short circuit protected yes  
 Load capacitance max. (at Ue) 0.20 µF

**Mechanical data**

Style Cylinder, straight optics  
 Dimensions Ø12.0 mm x 60.0 mm  
 Mounting type Nut M12x1  
 Tightening torque max. 7/15 Nm  
 Housing material Brass  
 Surface protection Nickel-plated  
 Werkstoff aktive Fläche PMMA  
 Degree of protec. per IEC60529 IP67  
 Connection type Connector  
 Connector type M12x1-S04

**Approval**

Approvals / Conformity CE

**Remarks**

Basic standard IEC 60947-5-2  
 The sensor is functional again after the overload has been eliminated.  
 Reference object (target): Gray card, 200 x 200,  
 90 % remission, axial approach.  
 For additional information, refer to user's guide.  
 Order accessories separately.

000000118829/237044/20141201

**BOS 12M-PS-RD11-S4**  
Order code: BOS01TN

Photoelectric sensor  
Series 12M GLOBAL  
Light scanner, energetic  
Sn = 100 mm

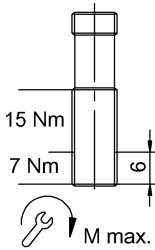
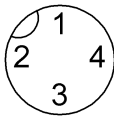
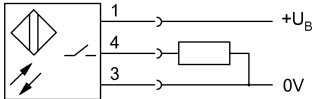
DC, direct current  
PNP (1x)  
NO: light-on  
1,000 Hz  
LED, red light (Pin Point)

**BALLUFF**  
*sensors worldwide*



Definitions see general catalog

Subject to change without notice.



000000118829/237044/20141201