

Horns and Sirens / Heavy-Duty multi-tone sounder  
**Multi-t.sounder BWM 32 tne 115VAC BK/GY**



Part No.: 144.000.67



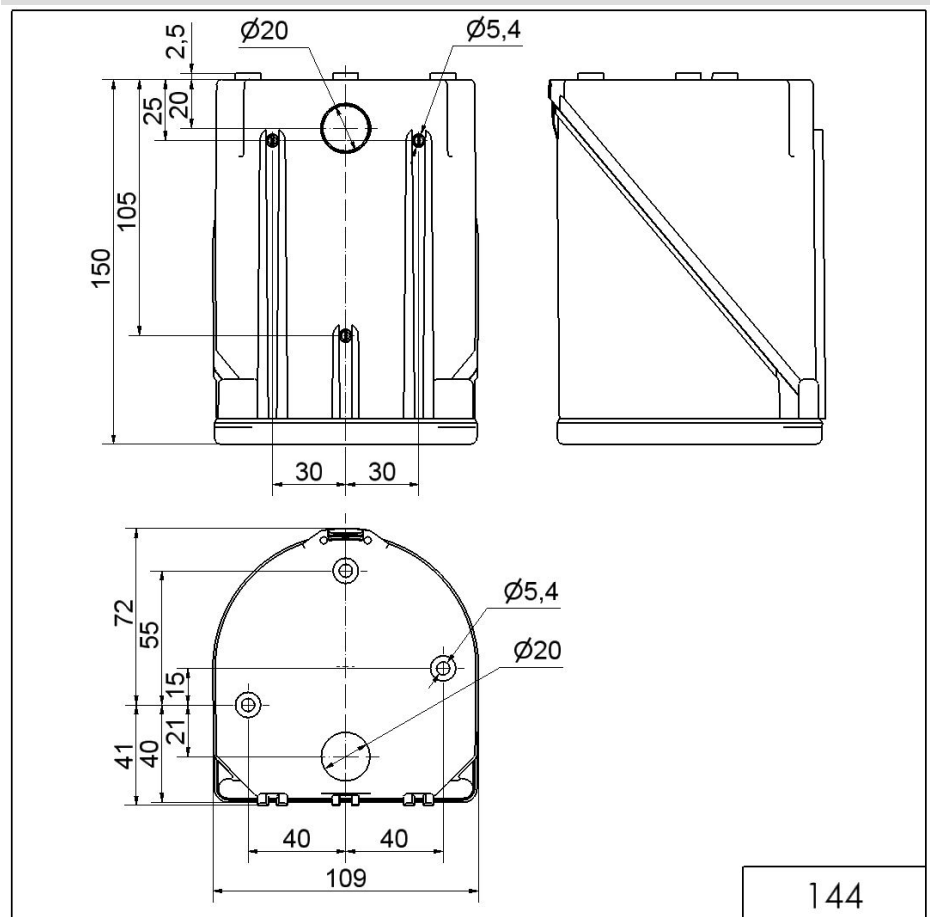
| MECHANICAL DATA              |                                |
|------------------------------|--------------------------------|
| Length                       | 113 mm                         |
| Width                        | 109 mm                         |
| Height                       | 150 mm                         |
| Materials                    | PC/ABS                         |
| Housing colour               | Black                          |
| Protection category          | IP65                           |
| Connection                   | Spring-type terminal           |
| cross-sectional area maximum | 1,50mm <sup>2</sup> / 16AWG    |
| Cable entry                  | Membrane grommet               |
| Cable entry minimum          | d = 1 mm                       |
| Cable entry maximum          | d = 13 mm                      |
| Type of fixing               | Base mounting<br>Wall mounting |
| Working temperature minimum  | -30°C                          |
| Working temperature maximum  | +50°C                          |
| Weight with packaging        | 520 g                          |
| Product weight               | 450 g                          |
| ELECTRICAL DATA              |                                |
| Operating voltage            | 115V                           |
| Operating voltage type       | AC                             |
| Operating voltage frequency  | 60Hz                           |
| Operating voltage tolerance  | +/- 10%                        |
| Rated operational voltage    | 115 VAC                        |
| Rated operational current    | 55 mA                          |
| Rated inrush current         | 500 mA                         |
| Protection class             | Protection class 2             |
| Pollution degree             | 3                              |
| Overvoltage category         | II                             |
| Isolation voltage            | Ui = 250V; Uimp = 2.500V       |
| ACUSTICAL DATA               |                                |
| Volume (max) at 1m distance  | 114,0 dB (A)                   |
| Acoustic signal image        | Multi-tone                     |
| Number of tones              | 32 tone                        |
| Acoustic service life        | 5,000 h minimum                |
| APPROVAL DATA                |                                |
| Conforms with CE             | Yes                            |

! For additional installation and mounting information, refer to the appropriate user guide at [www.werma.com](http://www.werma.com). This printed copy is for information only and is subject to alteration.

Horns and Sirens / Heavy-Duty multi-tone sounder  
**Multi-t.sounder BWM 32 tne 115VAC BK/GY**

|                               |                       |
|-------------------------------|-----------------------|
| WEEE                          | Yes                   |
| Conforms with ATEX-directive  | No                    |
| Conforms with CCC             | No                    |
| Conforms with UL              | No                    |
| Conforms with FCC             | No                    |
| Conforms with IC              | No                    |
| EAC certificate available     | Yes                   |
| Conforms with UKCA (Importer) | Yes (WERMA (UK) Ltd.) |
| Conforms with AS-I            | No                    |
| ICAO Certification            | No                    |
| Conforms with DNV             | No                    |
| Conforms with RoHS CN         | No                    |
| Conforms with VdS             | No                    |

**DRAWING**



144



For additional installation and mounting information, refer to the appropriate user guide at [www.werma.com](http://www.werma.com). This printed copy is for information only and is subject to alteration.