

Q84G - Standalone Electronic Pressure Sensor Module

Excelon® Plus Modular System



- > Electronic monitoring of secondary pressure
- > 1.44" full colour graphic display. Excellent Visual Management.
- > Parameter Adjustment via front screen Buttons or Accessed Via IO Link
- > Configurable switching output
- > Adjustable settings: Setpoint, Tolerance, Hysteresis, Pressure Units, Temperature Units, Screen Orientation, Digital Output Type (NPN, PNP, Push-Pull), Digital Output State (Normally High, Normally Low)
- > Install as a standard digital pressure switch or a pressure transducer with IO Link

Technical features

Medium:

Compressed air only

Maximum supply pressure:

10 bar (145 psi)

Pressure measurement range:

0 ... 10 bar
(0 ... 145 psi, 0 ... 1.0 MPa)

Port size:

G3/8, G1/2, G3/4
3/8 PTF, 1/2 PTF, 3/4 PTF

Ambient/Media temperature:

-20 ... +65°C (-4 ... +149°F)
Air supply must be dry enough to avoid ice formation at temperatures below +2°C (+35°F).

Repeatability:

≤ 0.1% of full scale (FS) at stable temperature

Accuracy:

≤ 1.5% of full scale (FS) of detected pressure (0 ... +50°C, +32 ... +122°F)

Units:

Pressure: bar, psi, MPa
Temperature: °C, °F
Voltage: V

Display:

1.44" full colour TFT LCD
Text / background colours:
white/green: pressure in range
white/red: pressure out of range
white/amber: error
black white: setting mode
Display fields:
User configurable identifier, pressure value, pressure units, user configurable message, menu

IO-Link function:

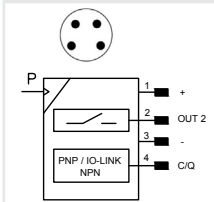
Pressure information
Pressure out of range warnings
Temperature diagnostic
Supply voltage diagnostic
Operating time diagnostic
Min. cycle time:
20ms
Materials:
Body: Die cast aluminium
Body covers: ABS
Elastomers: NBR

For product IOD file please use the online link <http://s.norgren.com/digital-gauge-iodd>

for a copy of the Quick Start Guide or comprehensive Operators manual please use the following online link www.norgren.com/excelon-plus

Electrical connection M8 x 1

Pin-No.	Signal	Cable
1	L+ (24V)	brown
2	Out 2 (switching)	white
3	L- (0V)	blue
4	C/Q (switching / IO-Link)	black



Electrical connection:

M8 x 1

Power supply:

18 ... 30 V d.c.

Current consumption:

≤50 mA

Electromagnetic compatibility:

According to EN 61000-6-2;
EN 61000-6-3

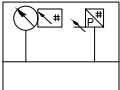
Switching output:

Configurable NPN / PNP / Push-Pull / NO or NC

Load current:

100mA with short circuit protection

Technical data Q84G

Symbol	Port size	Pressure range (bar)	Weight (kg)	Model*
	G3/8	0 ... 10	0,36	Q84G-3GN-NNE
	G1/2	0 ... 10	0,36	Q84G-4GN-NNE
	G3/4	0 ... 10	0,36	Q84G-6GN-NNE

*) All models shown here are supplied with pressure sensor applicable for flow direction left to right. With flow direction right to left please use the online configurator www.imi-precision.com/air-preparation-configurator or contact IMI Norgren

Option selector
Q84G - ★ ★ N-NNE

Port size	Substitute
G3/8	3
G1/2	4
G3/4	6
Thread form	Substitute
PTF	A
ISO G parallel (standard)	G

**Filter/regulator B84G and regulator R84G
with integrated pressure sensor**
see data sheet
en 8.200.350 B84G
en 8.200.250 R84G


Accessories
Wall mounting bracket

Page 6

840024-50KIT

Quikclamp®

Page 6

840014-51KIT

**Quikclamp®
with bracket assembled**

Page 6

840014-52KIT

Hybrid Quikclamp® *1

Page 6

840014-61

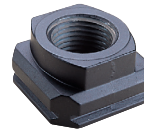
**Hybrid Quikclamp® with
bracket assembled *1**

Page 6

840014-62

*1) To connect new Excelon Plus to old Excelon 74/73 units. Having the same hole centres as 74 series mounting bracket.

A Quikclamp adds 13.6 mm to the overall width of a combination unit

Port Adaptors

Page 7

3/8 PTF	840015-02KIT
1/2 PTF	840015-03KIT
3/4 PTF	840015-04KIT
G3/8	840015-10KIT
G1/2	840015-11KIT
G3/4	840015-12KIT

**Pressure sensing block
1/4 PTF**

Page 6

840016-50KIT

**Pressure sensing block
G1/4**

Page 6

840016-51KIT

Accessories

Full flow porting block
3/4" PTF



Page 6

840028-50KIT

Full flow porting block
G3/4



Page 6

840028-53KIT

Full flow porting block
3/4" PTF



Page 6

840028-50KIT

Full flow porting block
G3/4



Page 6

840028-53KIT

IO-Link cables

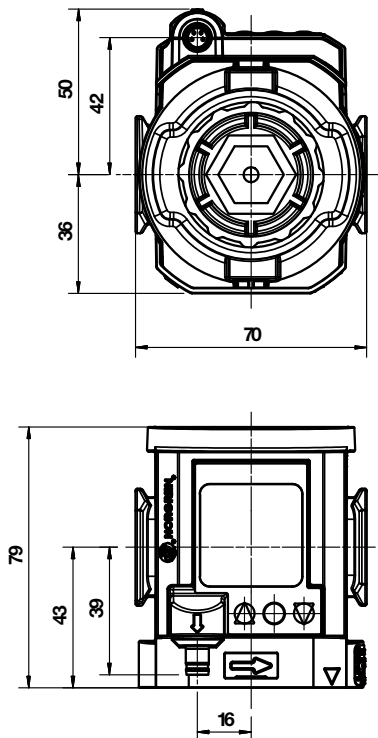
Connection cable M8x1 for intergrated digital pressure switch



Description	Cable length (m)	Model
M8 female to M12 male	0,6	NC-084FS-124MS-A
	1,0	NC-084FS-124MS-1
	2,0	NC-084FS-124MS-2
	5,0	NC-084FS-124MS-5
M8 female to free end	3,0	NC-084FS-00000-3

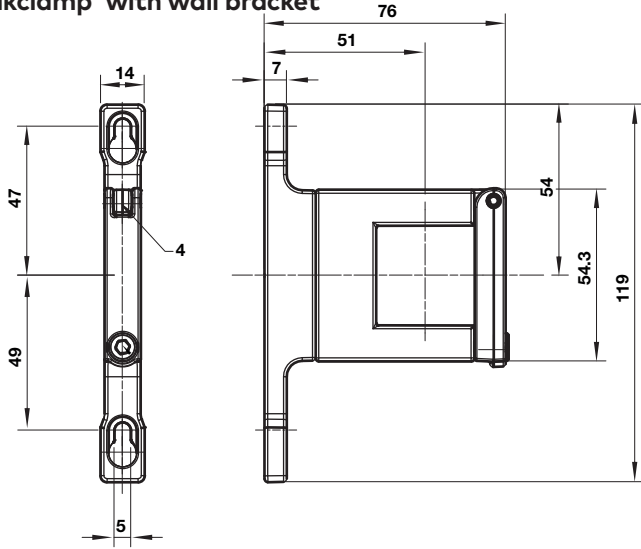
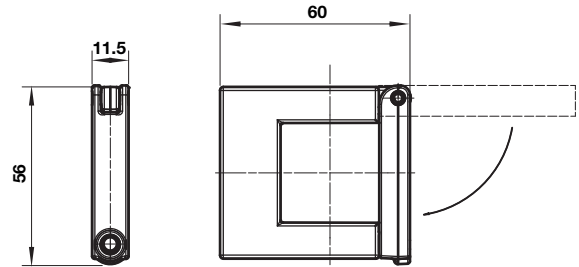
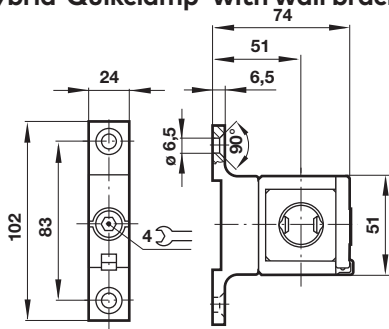
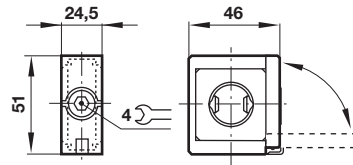
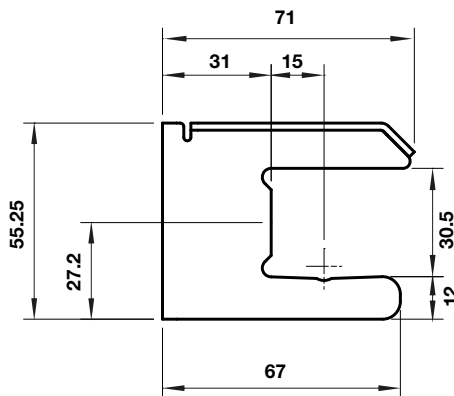
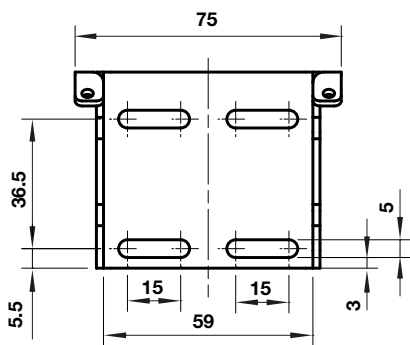
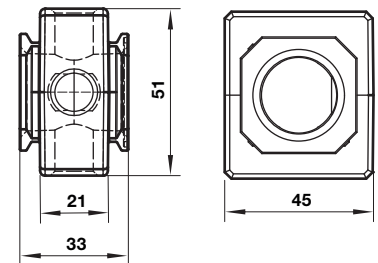
Dimensions Q84G

Dimensions in mm
Projection/First angle

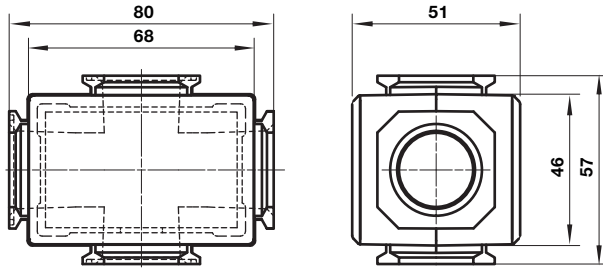


Accessories

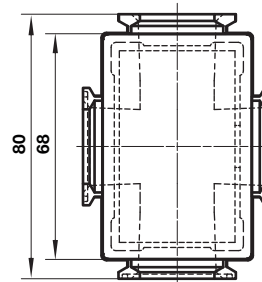
 Dimensions in mm
 Projection/First angle

Quikclamp® with wall bracket

Quikclamp®

Hybrid-Quikclamp® with wall bracket

Hybrid-Quikclamp®

Mounting bracket

Pressure sensing block


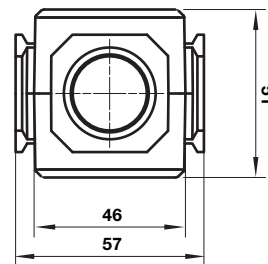
Full flow porting block horizontal



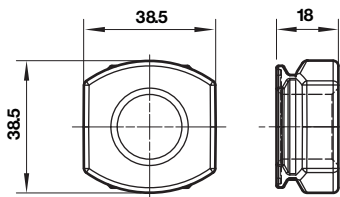
Full flow porting block vertical



Dimensions in mm
Projection/First angle



Pipe adaptor



Warning

These products are intended for use in industrial compressed air systems only. Do not use these products where pressures and temperatures can exceed those listed under »**Technical features/ data**«.

Before using these products with fluids other than those specified, for non-industrial applications, life-support systems or other applications not within published specifications, consult Norgren Ltd.

Through misuse, age, or malfunction, components used in fluid power systems can fail in various modes.

The system designer is warned to consider the failure modes of all component parts used in fluid power systems and to provide adequate safeguards to prevent personal injury or damage to equipment in the event of such failure.

System designers must provide a warning to end users in the system instructional manual if protection against a failure mode cannot be adequately provided.

System designers and end users are cautioned to review specific warnings found in instruction sheets packed and shipped with these products.