
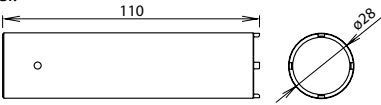

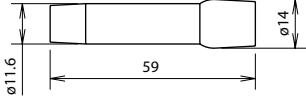

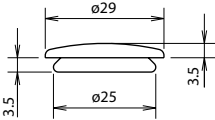

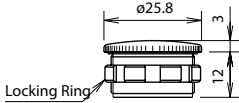

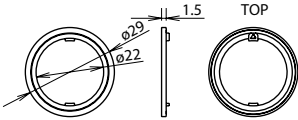

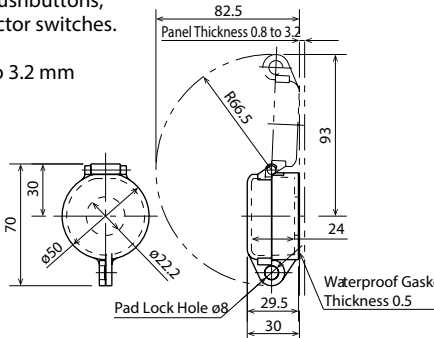


## Accessories

| Name & Shape  | Part No.    | Description & Dimensions (mm)  | Package Quantity |
|---|-------------|--|------------------|
|    | MW9Z-T1     | Metallic tool used to tighten the plastic locking ring when installing the YW series in a panel.   | 1                |
|    | OR-55       | Made of rubber. Used for replacing lamps.   | 1                |
|    | OB-31PN05   | Used for plugging unused mounting holes in the panel. Color: Black    | 5                |
|    | LW9Z-BM     | Used for plugging unused mounting holes in the panel. Weight: Approx. 18g   | 1                |
|   | HW9Z-RLPN10 | Prevents rotation of switches in panel. Mainly used with selector switches when no nameplate is used. With waterproof gasket (IP65). Made of plastic (black). Applicable panel thickness: 1.2 to 4.5 mm  | 10               |
|  | HW9Z-KL1    | Plastic hinged cover to protect pushbuttons, illuminated pushbuttons, or selector switches. Degree of protection: IP65. Applicable panel thickness: 0.8 to 3.2 mm                                        | 1                |

HW

TW

YW