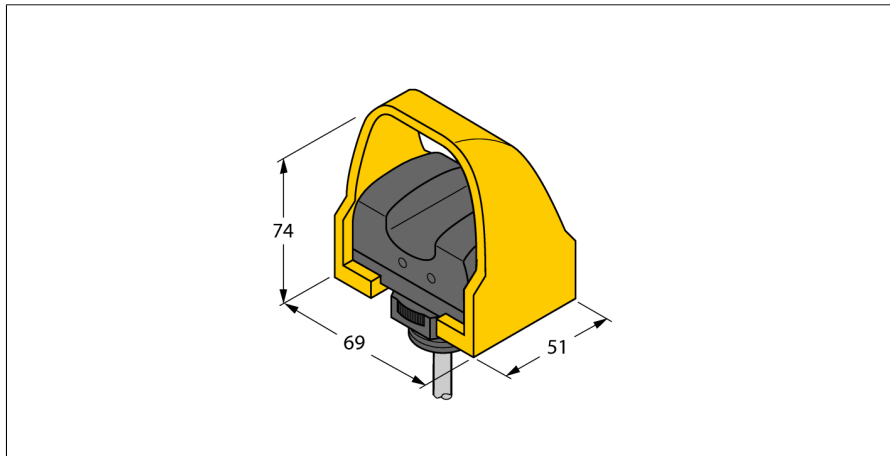
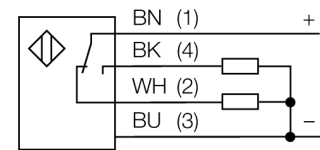


**Photoelectric sensor  
touch switch  
STBVP6L**



- Safety category 4 according to EN ISO 13849-1 for use with corresponding evaluation relays
- SIL 3 acc. to IEC 61508 and IEC 62061
- cable, 2m
- Operating voltage 24 VDC
- 1 safety NO output PNP
- 1 safety NC output PNP

**Wiring diagram**



**Functional principle**

The Duo-Touch two-hand control system can be used as a triggering device for most motor driven machines whose machining cycle is controlled by an operator. If a two-hand control system is used as a protective device, both of the operators hands must be used to start the machine cycle. The operator is thus placed in a form of "protective custody" if a hazard exists from which the operator must be protected or must avoid. The control elements of the two-hand control system must be arranged so that the hazardous motion (e.g. closing of a punching press) is completed or stopped before the operator can release one or both keys and reach the hazard area. Both hands must be used simultaneously. Both keys must be pressed within a time of max. 500 ms (simultaneity requirement according to EN 574).

<b>Type code</b>	STBVP6L
Ident no.	3064182
<b>Operating mode</b>	touch switch
Light type	IR
Ambient temperature	0...+50 °C
<b>Operating voltage</b>	10...30VDC
Output function	NO/NC , PNP
<b>Dimensions</b>	51 x 69 x 74 mm
Housing material	plastic, Polycarbonate/ABS
Connection	cable
Cable length	2 m
Protection class	IP66
<b>Power-on indication</b>	LED green
Switching state	LED green
Error indication	LED green flashing