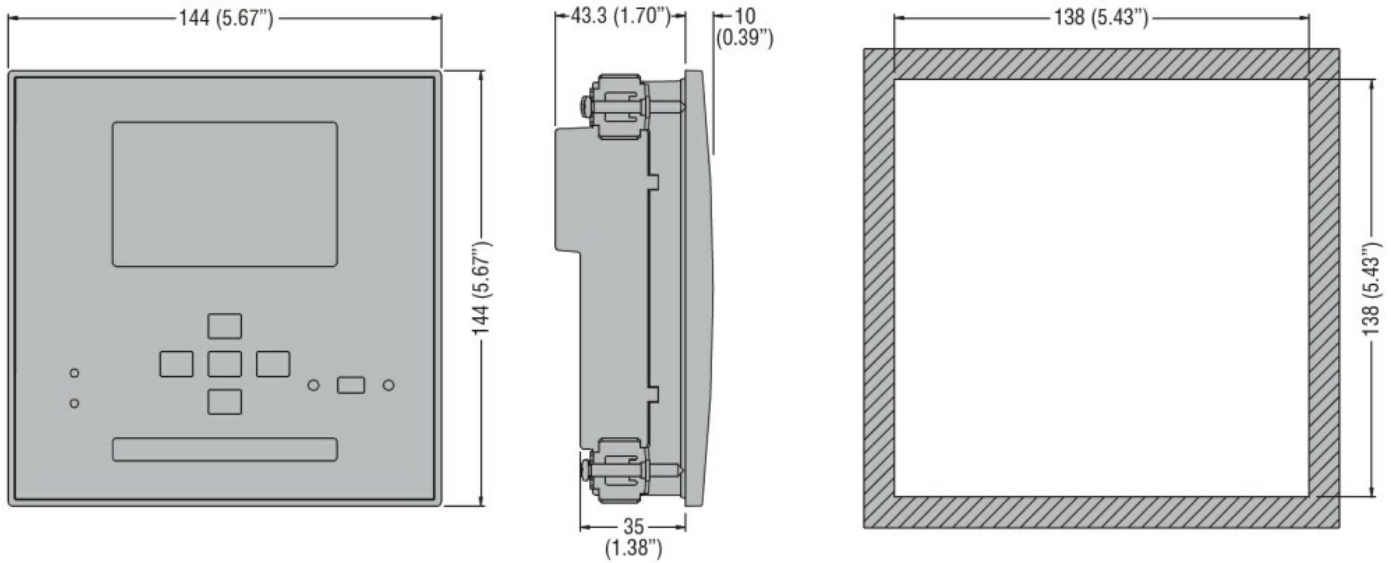


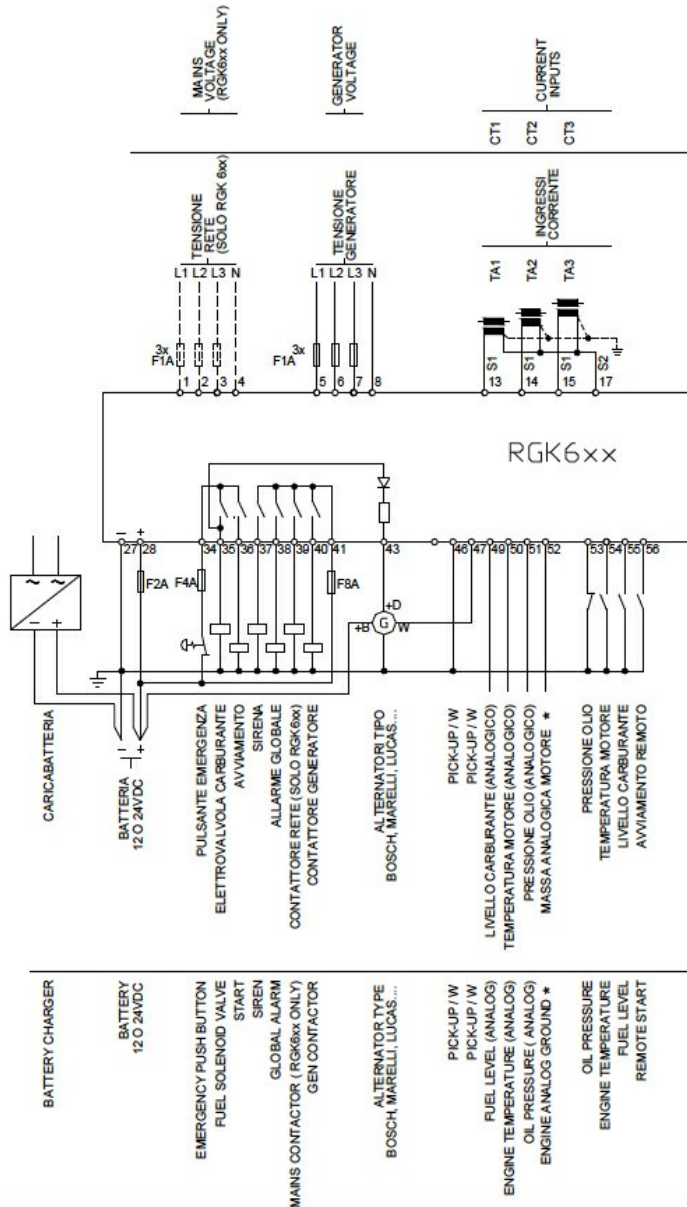


Automatic mains failure gen-set controllers
RGK601

Product designation		
Product type designation		
Power supply		
Rated battery voltage	V	12/24VDC
Digital inputs		
Digital input type	4 neg.+ 1 pos.	
"W"/AC/PICK-UP speed inputs		
"W"/AC/PICK-UP speed input type	"W" or generator frequency or "Pick-up"	
Voltage inputs		
Rated voltage (Ue)	VAC	100...480
Measurement range	V	100...480
Frequency range	Hz	45...65
Measurement method	TRMS	
Current inputs		
Rated current (Ie)	A	5A/1A
Measurement range	0.05...6A or 0.05...1.2A	
Amperometric inputs type	3PH, /5A or /1A	
Measurement method	TRMS	
Static Outputs		
Static output type	6 (SSR)	
Interface		
CANbus	Yes	
Ambient conditions		
Protection degree	IP40, IP65 with optimal gasket seal	
Dimensions		



Wiring diagrams



Certifications and compliance

Compliance

CSA C22.2 n° 14

IEC/EN 61000-6-2

IEC/EN 61000-6-3

IEC/EN 61010-1

UL 508

Certificates

EAC

UL Listed for USA and Canada (cULus-File E93601)

ETIM classification

ETIM 8.0

EC002758 -
Energy
management
controller