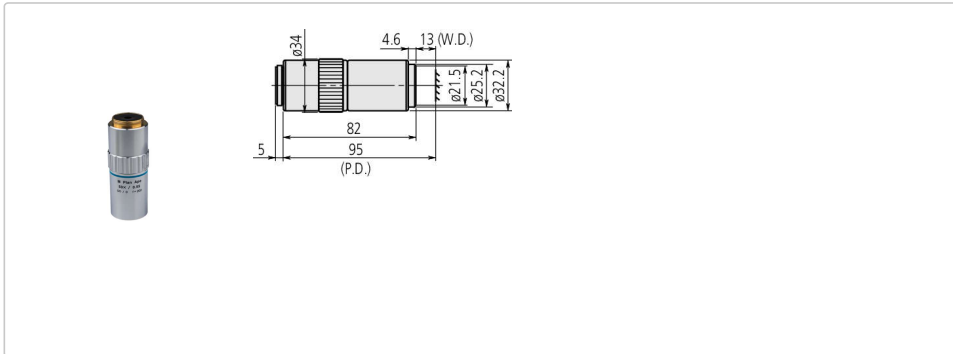




M Plan APO 50X

Item number: 378-805-3



Description

Features

- Long Working Distances
- Infinity Corrected
- Bright Field Inspection
- High Quality Plan Apochromat Design
- Flat Image Surface over Entire Field of View

Features

Model:	M Plan Apo 50X
N.A.:	0.55
W.D.:	13 mm
f:	4 mm
P.D.:	95 mm
R:	0.5 mm
FOV 1:	ø0.48 mm
FOV 2:	0,1x0,13 mm
Mass:	290 g
Abbreviations in product table:	N.A.: Numerical aperture W.D.: Working distance P.D.: Parfocal distance f: Focal distance R: Resolving power D.F.: Depth of field FOV 1: Field of view when using ø24 mm eyepiece FOV 2: Field of view when using a digital camera with 1/2" chip size
Remarks:	11.2
Working distance:	In Air: 13 mm
Corrected Wave Length:	436-656 nm
Functions:	M Plan Apo for Bright Field Observation Compatible with microscope types VMU / FS-70 / MF-U / Hyper MF-U Note: Polarizing unit (378-074) is required when using 1X objective.