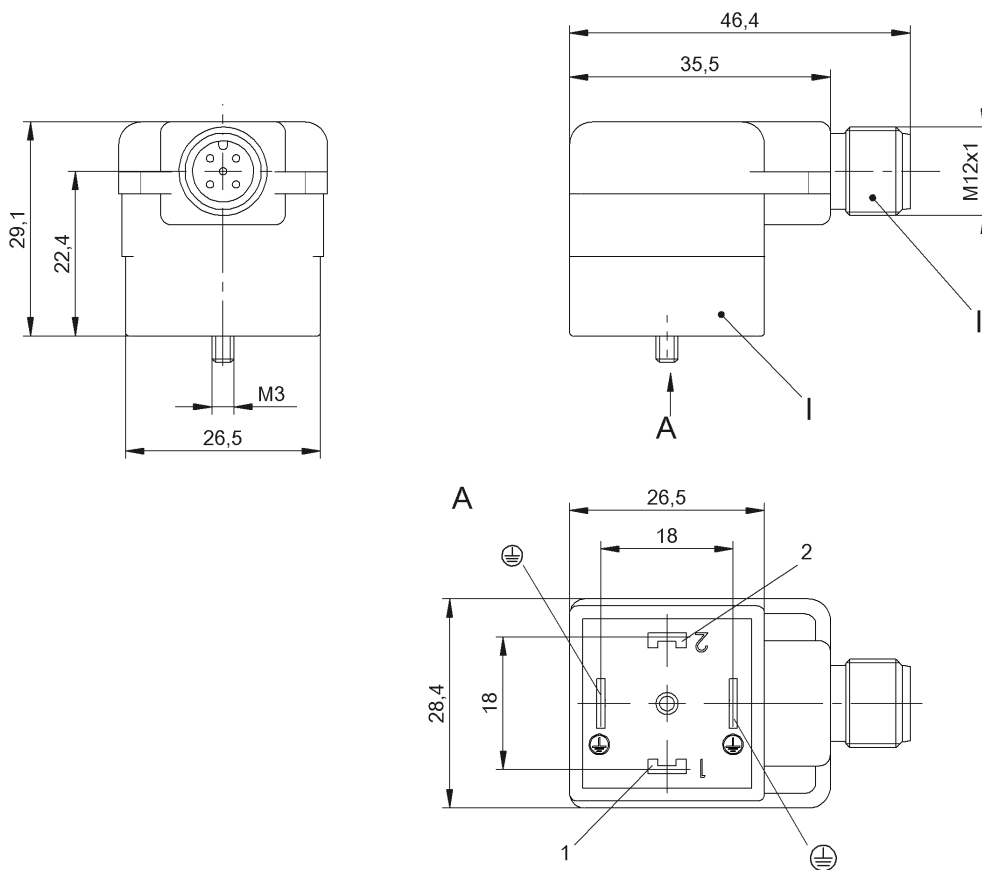


Adapters

BCC VA04-M415-3E-RA125-000

Order Code: BCC0HKZ

BALLUFF



Basic features

Approval/Conformity	EAC WEEE
---------------------	-------------

Electrical connection

Connection 1	A, DIN-0°/180°-Valve connector, angled, 4-pin
Connection 2	M12x1-Male, Straight, 3-pin, A-coded
Connector 01, version	angled
Connector 02, version	Straight
Number of pins	4/3
System	Molded

Electrical data

Operating voltage U_b	24 VDC / 24 VAC
Rated current (40 °C)	4.0 A
Suppressor	Suppressor diode

Environmental conditions

Ambient temperature	-25...80 °C
IP rating	IP67

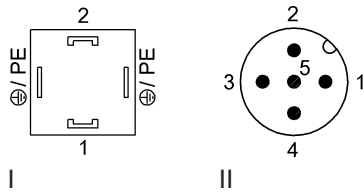
Material

Material contact carrier	PBT/PA
Material contacts	Brass/Brass
Material grip	TPU
Material locking screw	Steel

Remarks

Enclosure rating per IEC 60529, only in screwed state with the associated mating piece.

Connector Drawings



Wiring Diagrams

