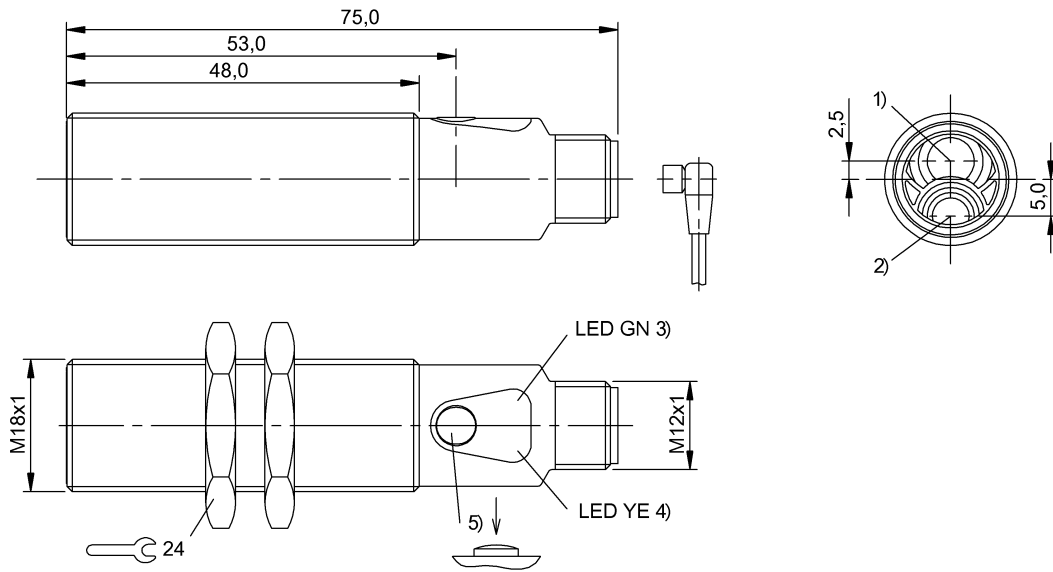


BOS 18M-PI-RD30-S4 BOS01UA



1) Optical axis receiver 2) Optical axis emitter 3) Power/short-circuit 4) Light reception/limit area 5) Sn



Display/Operation

Adjuster	Key (1x)
Setting	Rated switching distance (Sn) Light-on/dark-on

Electrical connection

Connection	M12x1-Connector, 4-pole, A-coded
Contact, surface protection	Gold plated
Polarity reversal protected	yes
Short-circuit protection	yes

Electrical data

Baud rate	38.4 kBaud
Hysteresis H max. (% of Sr)	10.0 %
Load capacitance max. at Ue	0.3 μ F
No-load current I _o max. at Ue	40 mA
Operating voltage U _b	18...30 VDC
Pollution degree	3
Protected against miswiring	yes
Rated insulation voltage U _i	250 V AC
Rated operating current I _e DC	100 mA
Rated operating voltage U _e DC	24 V
Ready delay t _v max.	100 ms
Residual current I _r max.	10 μ A
Switching frequency	500 Hz
Turn-off delay t _{off} max.	1 ms
Turn-on delay t _{on} max.	1 ms
Utilization category	DC-13
Voltage drop U _d max. at I _e	1.5 V

Environmental conditions

Ambient temperature	-5...55 °C
Protection class	II
Protection type IEC 60529	IP67

Functional safety

Functional safety	no
-------------------	----

General data

Approval/Conformity	cULus CE
Basic standard	IEC 60947-5-2
Function class, smart sensor	Binary data channel Teach channel Diagnostics Identification
Series	18M
Style	Cylinder Straight optics

Material

Housing material	Brass
Material sensing surface	Glass
Surface protection	nickel plates

Mechanical data

Dimension	\varnothing 18 x 75 mm
Fastening detail	Nut M18x1
Tightening torque max.	15 Nm 30 Nm

BOS 18M-PI-RD30-S4 BOS01UA

Optical data

Ambient light max.	10000 Lux
Beam characteristic	Divergent
LED group per IEC 62471	Exempt Group
Light type	LED Red light
Wave length	626 nm

Output/Interface

Interface	IO-Link 1.1
Interface setting option	Key disable on/off Sensor name in application Teach method 2-point/dyn. BDC mode 1-pt./2-pt./window Light-on/dark-on
Process data cycle min.	3 ms
Process data out	Teaching active/inactive Limit range yes/no Switching state active/inactive Error active/inactive
Switching output	PNP Normally open/Normally closed (NO/NC)

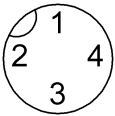
Range/Distance

Measuring range	1...500 mm
Range	1...500 mm
Rated operating distance S_n	500 mm, Adjustable
Ripple max. (% of U_e)	15 %
Temperature drift max. (% of S_r)	10 %

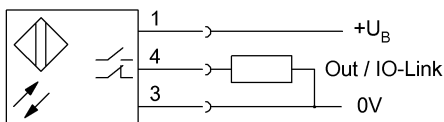
Remarks

The sensor is functional again after the overload has been eliminated.
Reference object (target): gray card, 200 x 200, 90 % remission, axial approach.
Only for applications per NFPA 79 (machines with a supply voltage of maximum 600 V). Use an R/C (CYJV2) cable with suitable properties for attaching the device.
For additional information, refer to user's guide.
Order accessories separately.
Do not press key using a pointed tool.

Connector view



Wiring Diagram



Symbols for Optoelectronic Sensors

